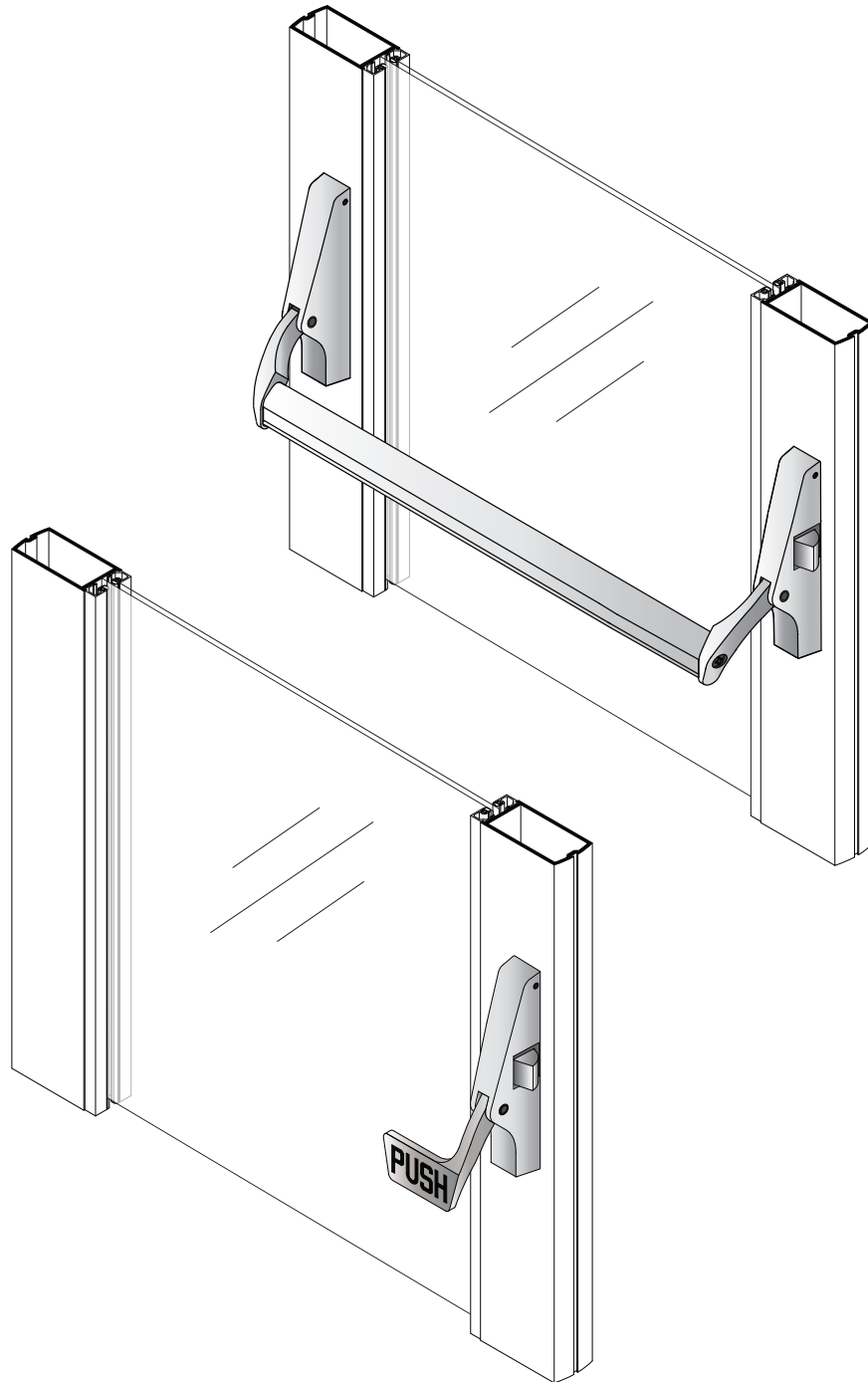


INSTALLATION INSTRUCTIONS

CRL JACKSON 1095-1095P PANIC EXIT DEVICE



Phone: (800) 421-6144 • Fax: (866) 921-0531
crlaurence.com • usalum.com • crl-arch.com

ORDER OF ASSEMBLY AND INSTALLATION

Tools Required 02

Parts Identification 03

Door Preparation 04 - 06

 Door Removal 04

 1095 Panic Exit Device Preparation (Template Selection) 05

 1095P Paddle Preparation (Template Selection) 06

Door Hardware Installation 07 - 10

 Cylinder Installation (Optional) 07

 Install Body and Arm Assemblies 08

 Cut and Install Panic Bar 09

 Install 1095P Paddle Version 10

Dogging Pin Options 11

Packaged Parts Available 12 - 13

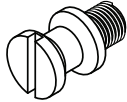
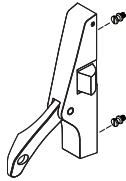
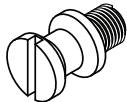
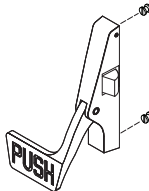

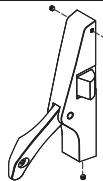
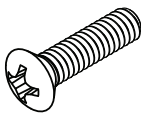
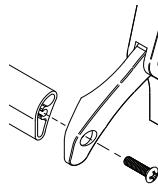
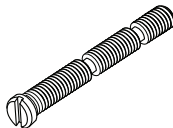
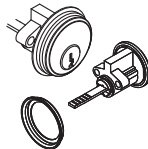
Tools Required

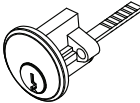
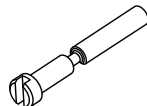
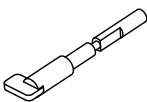
- | | |
|----------------------------------|---------------------------------|
| Drill bits: 5/8", 11/64", 13/64" | Framing square/straight edge |
| Tap: 1/4" - 20 | Masking tape |
| Tape measure | Center punch |
| Saw horses | Flat File |
| Cordless drill | Round File |
| Phillips #2 screwdriver | Jigsaw with metal cutting blade |
| Slot tip screwdriver | Torx T-10 driver |

The rapidly changing technology within the architectural aluminum products industry demands that U.S. Aluminum reserve the right to revise, discontinue or change any product line, specification or electronic media without prior written notice.

NOTE: Dimensions in parentheses () are millimeters unless otherwise noted.

PARTS IDENTIFICATION

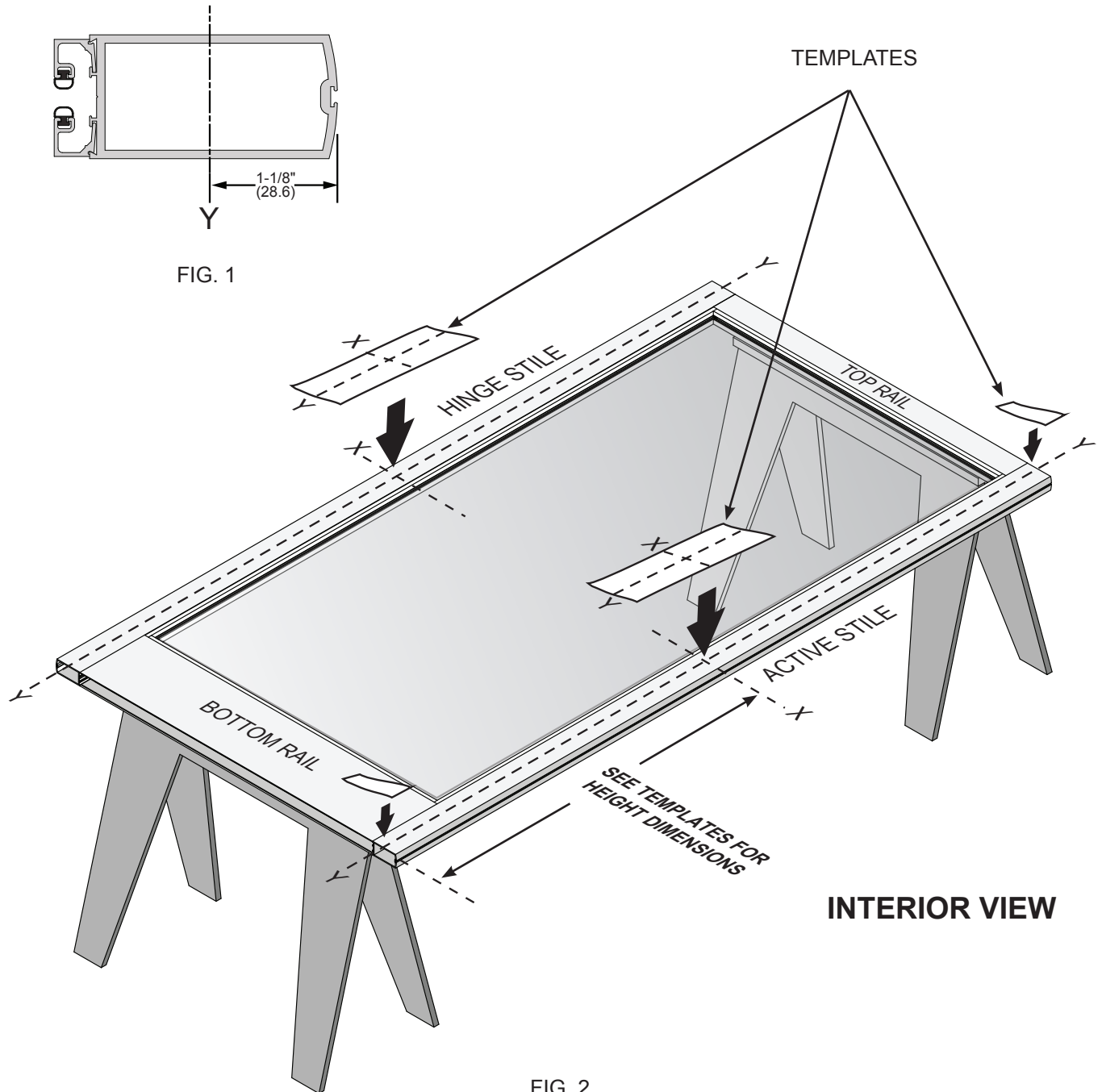
FASTENERS AND PARTS LIST					
CALL OUT	QTY.	FASTENER	FASTENER DESCRIPTION	PART	USED WITH PART NUMBER
(A)	2		1/4"- 20 x 1/4" Shoulder Stud Bolts		30988 Active Right Side Body & Arm Assembly 30989 Active Left Side Body & Arm Assembly
(A)	2		1/4"- 20 x 1/4" Shoulder Stud Bolts		30998 Active Right Hand Paddle Assembly 30999 Active Left Hand Paddle Assembly
(B)	3		1/4"- 20 x 1/4" Allen Screw Set		Left Body and Right Body Assemblies
(C)	1		1/4"- 20 x 1" Oval Head Screw		30733 48" Crossbar
(D)	2		1/4"-20 x 1-7/8" Pan Head Screw		DL911 Optional Rim Key Cylinder

PARTS LIST				
CALL OUT	QTY.	PART	PART NO.	DESCRIPTION
(E)	1		DL911	Optional Rim Key Cylinder
(F)	1		301115	Standard Dogging Pin Assembly
(G)	1		301117	Optional Thumbturn Dogging Pin Assembly

DOOR PREPARATION

REMOVE DOOR

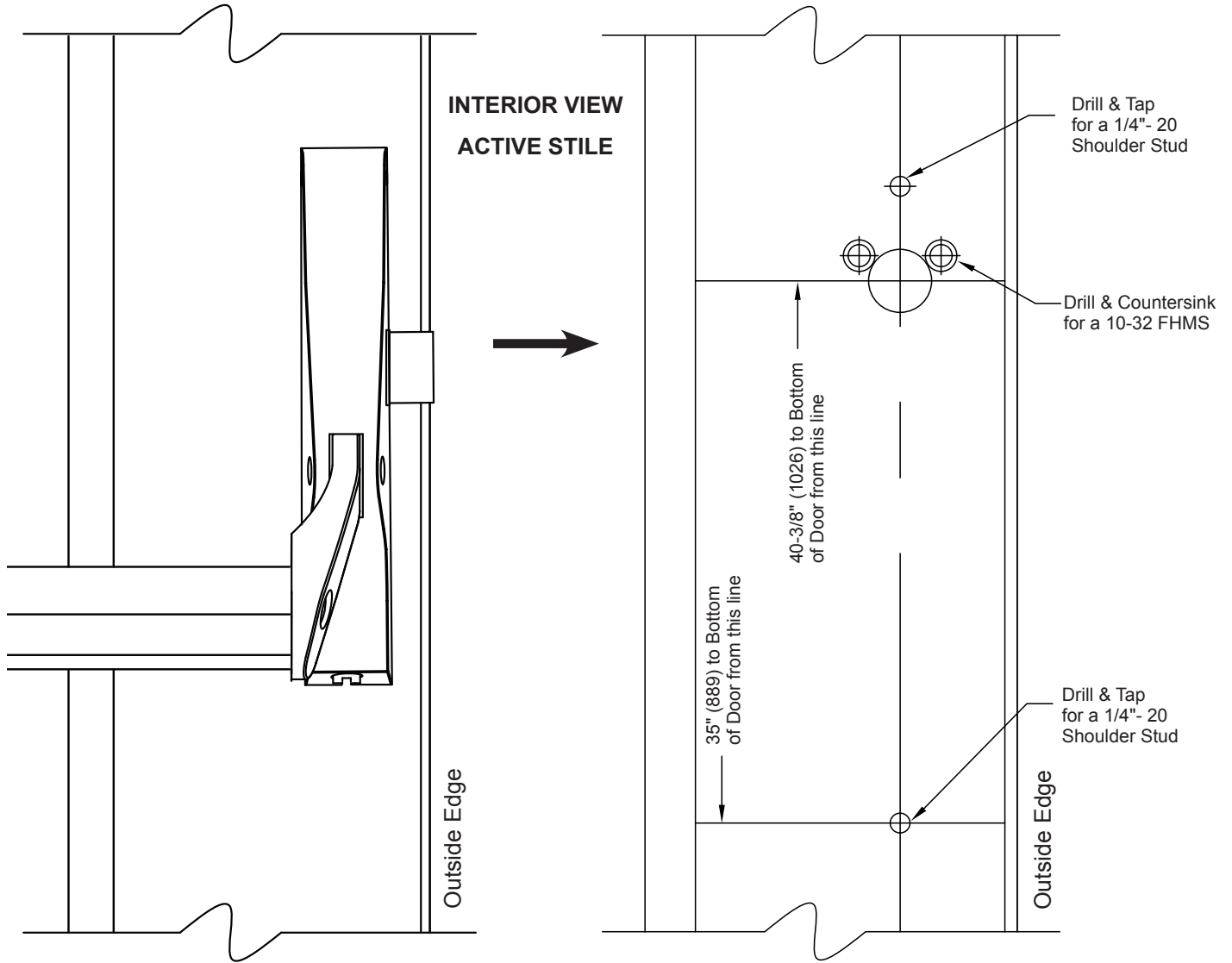
1. Place door horizontally on stands with the interior side up.
2. Mark stile Y-lines, 1-1/8" (28.6) from outside edge for all stile widths. (Fig. 1)
3. Mark stile X-lines per template instructions. (Fig. 2)
4. Attach corresponding templates. (Fig. 2)



NOT TO SCALE

DOOR PREPARATION – TEMPLATE SELECTION

1095 PANIC EXIT DEVICE PREPARATION



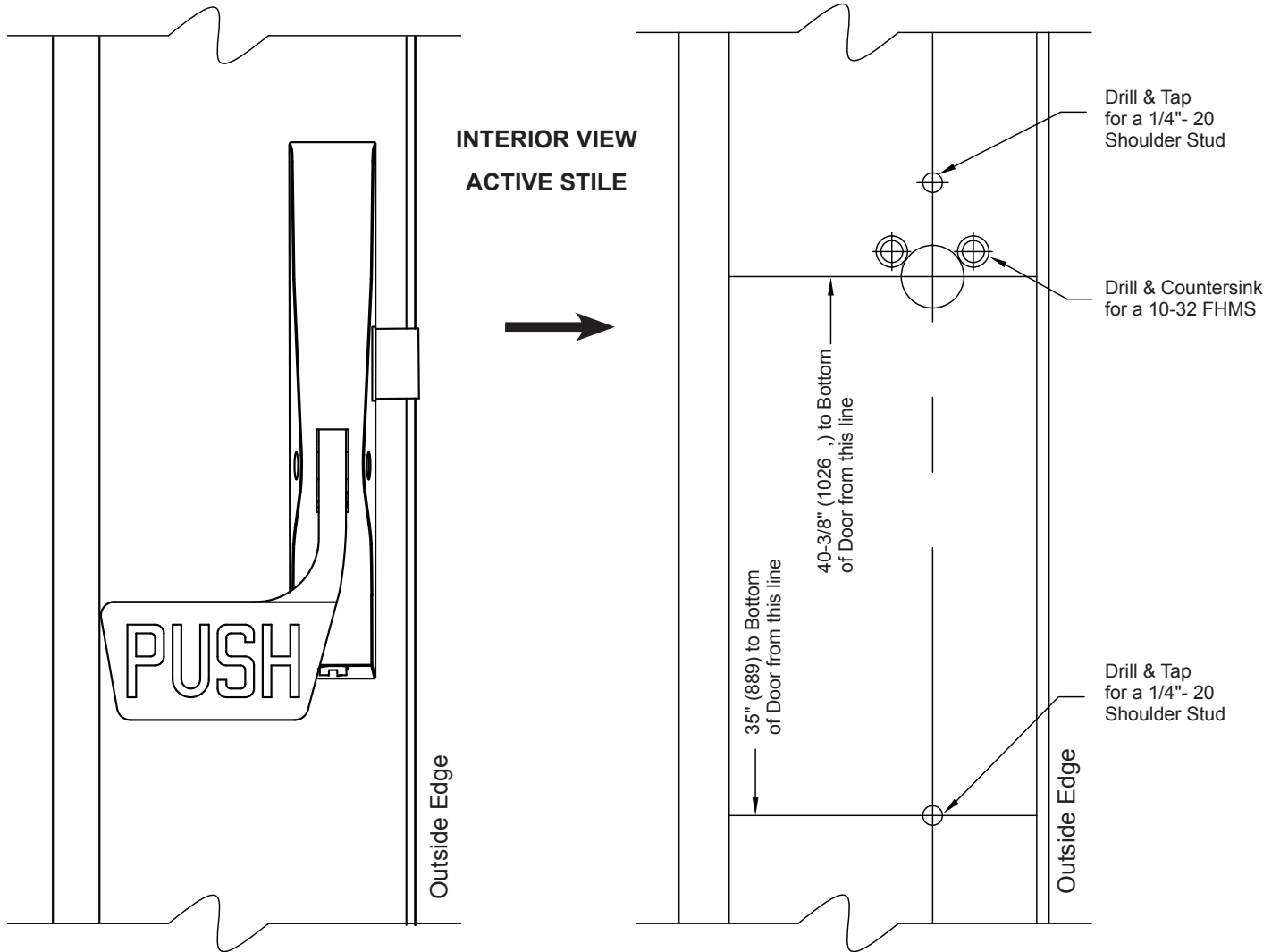
10-484 - REV. D Templates from Box

FIG. 3

NOT TO SCALE

DOOR PREPARATION – TEMPLATE SELECTION

1095P PADDLE PREPARATION



10-484 - REV. D Templates from Box

FIG. 4

NOT TO SCALE

DOOR HARDWARE INSTALLATION (CONTINUED)

INSTALL CYLINDER (OPTIONAL)

1. Insert (E) Cylinder Lock DL911 * into exterior active stile.
2. Secure with (D) two screws provided. (Fig. 5)

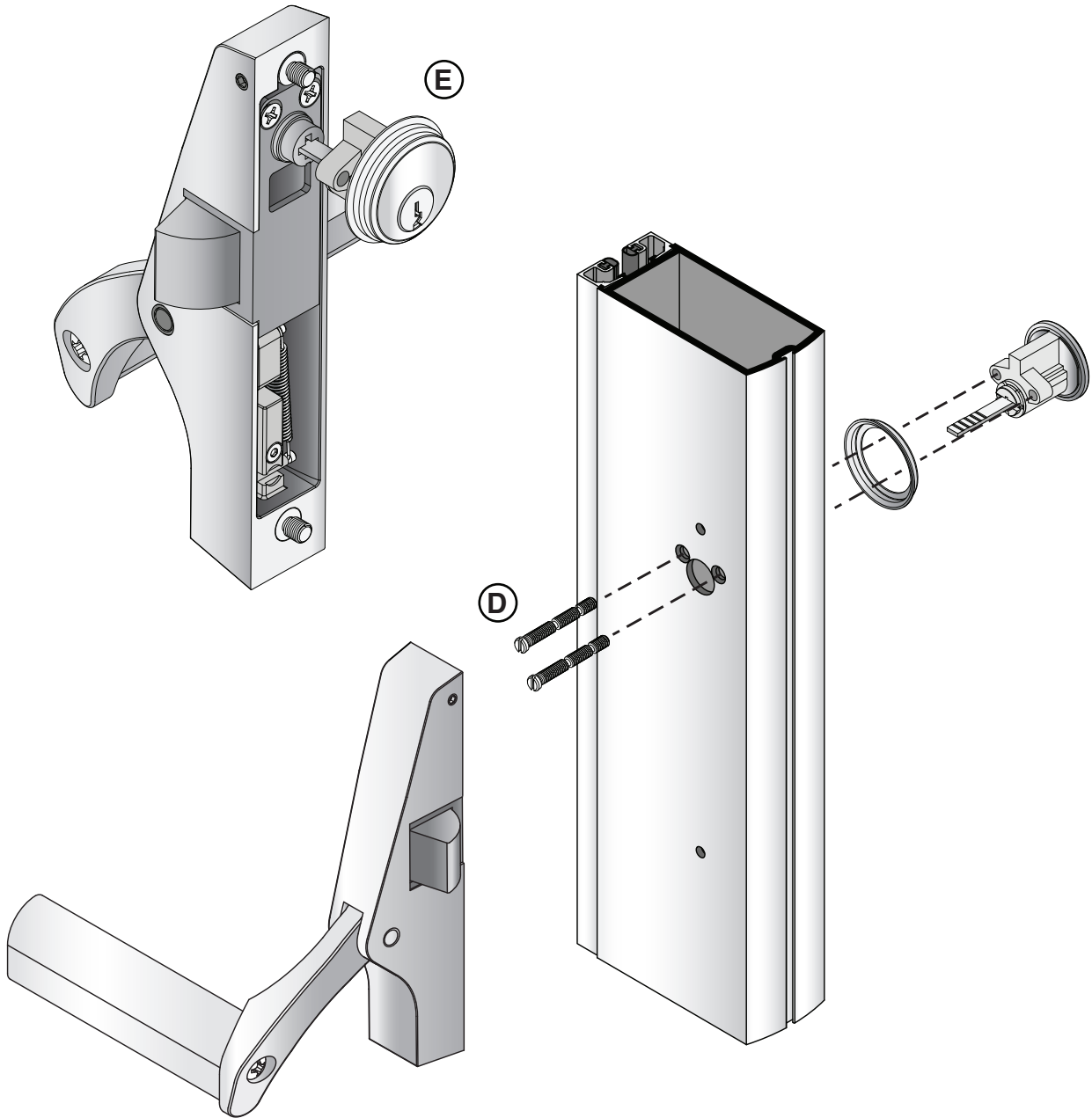


FIG. 5

* Specify Color:
DL911SCKDA Aluminum
DL911SCKDDU Dark Bronze

NOT TO SCALE

DOOR HARDWARE INSTALLATION (CONTINUED)

INSTALL BODY AND ARM ASSEMBLIES

1. Attach the (2) **(A)** 1/4"- 20 x 1/4" Shoulder Stud Bolts on both Active and Inactive Stiles. (Fig. 6)
2. Secure the Active Body and Arm Assembly using (3) **(B)** 1/4"- 20 x 1/4" Set Screws. (Fig. 7)
3. Secure the Inactive Body and Arm Assembly using (3) **(B)** 1/4"- 20 x 1/4" Set Screws. (Fig. 8)

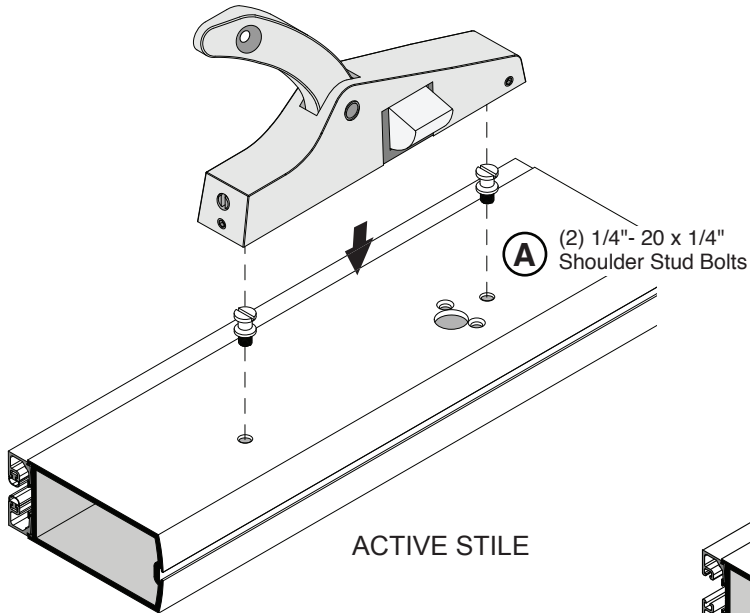


FIG. 6

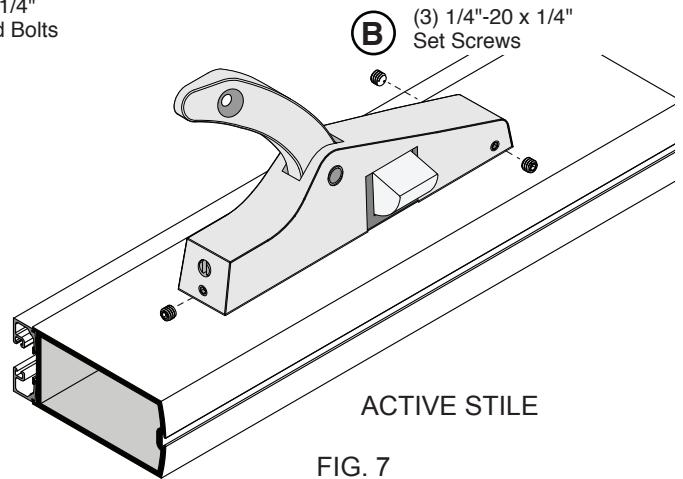


FIG. 7

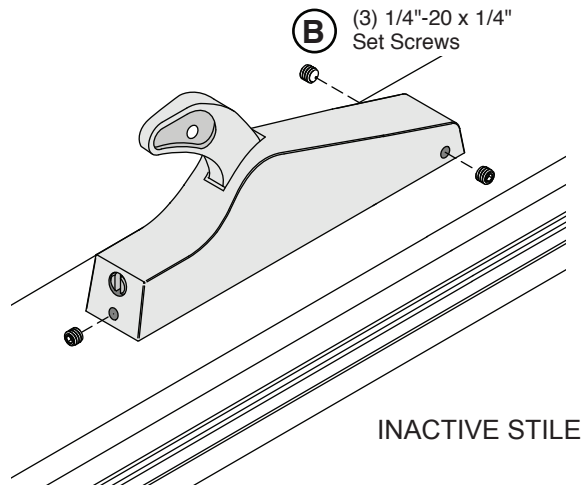


FIG. 8

NOT TO SCALE

DOOR HARDWARE INSTALLATION (CONTINUED)

CUT AND INSTALL PANIC BAR

1. Measure the Panic Bar from the inside edge of the left side body arm assembly to the inside edge of the right side body arm assembly as shown on Figure 9.
2. Cut and debur the Panic Bar to dimension "A". (Fig. 9)
3. Loosen the inactive body and arm assembly, insert Panic Bar into the arm cavities then secure arm assemblies.

CRITICAL NOTE: Panic Bar must be cut within 1/16" (1.6) of correct size to work properly.

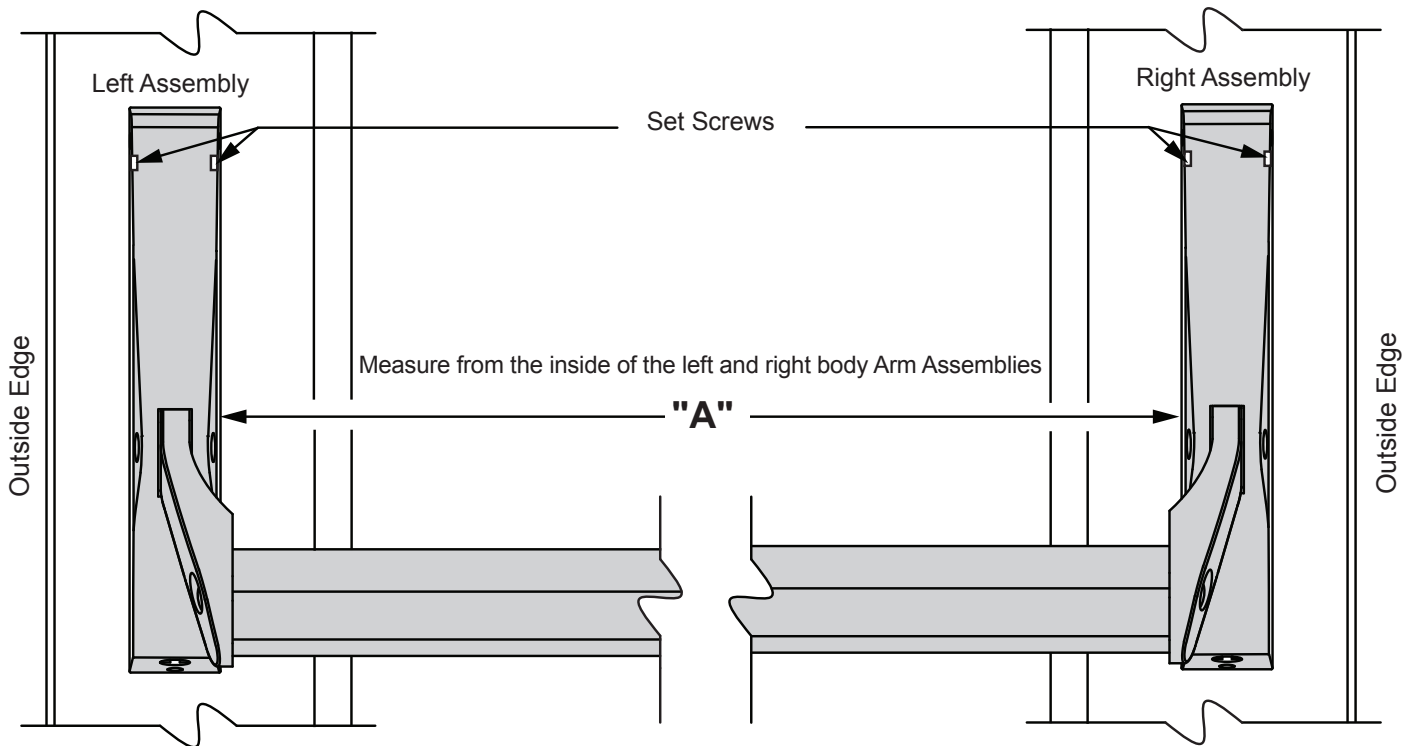


FIG. 9

NOT TO SCALE

DOOR HARDWARE INSTALLATION (CONTINUED)

INSTALL 1095P PADDLE VERSION

Attach Push Paddle Assembly to Stile using (3) **(B)** 1/4"- 20 x 1/4" Set Screws. (Fig. 10)

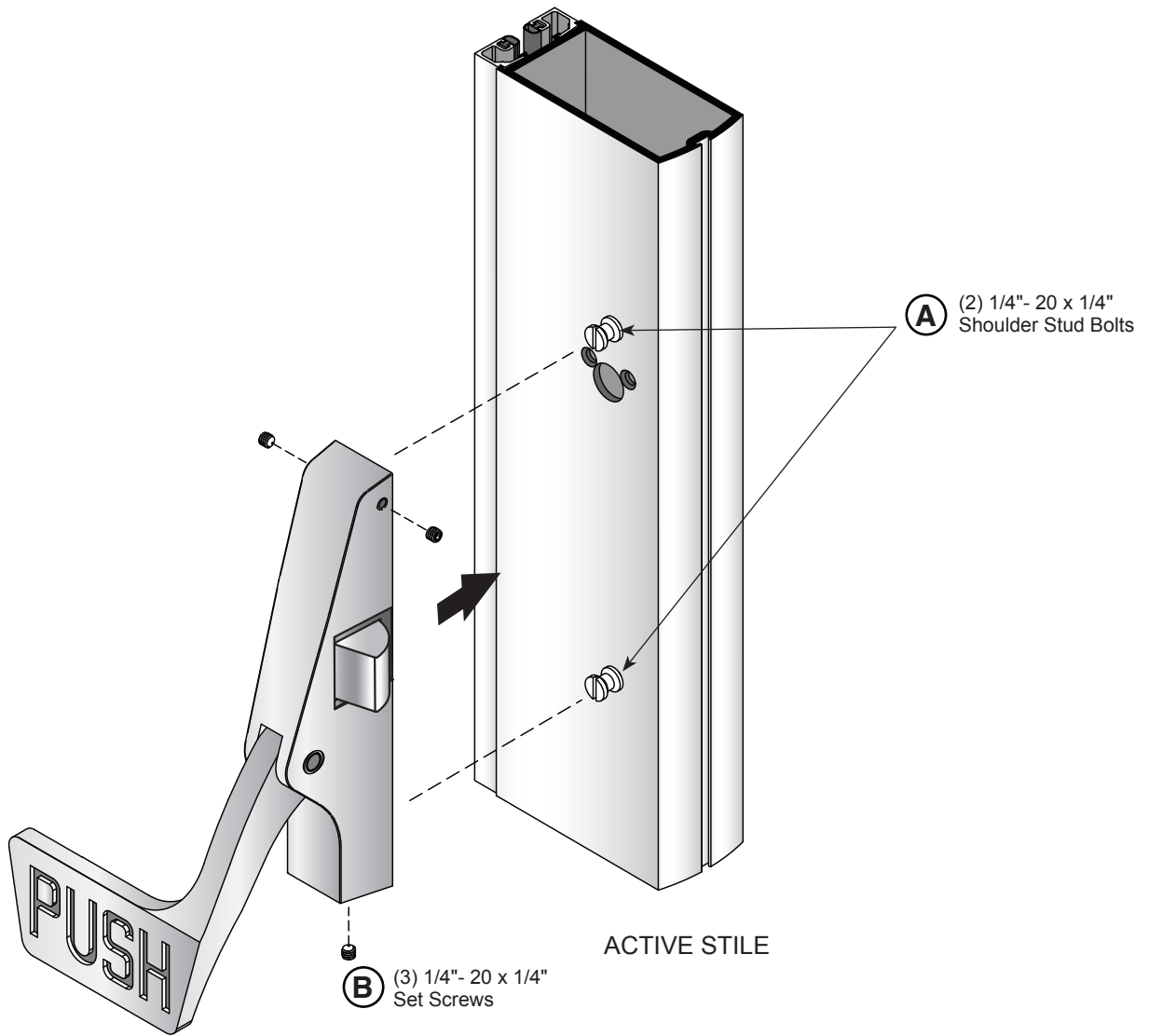


FIG. 10

NOT TO SCALE

DOGGING PIN OPTIONS

REMOVING STANDARD DOGGING PIN, REPLACE WITH OPTIONAL THUMBTURN DOGGING PIN

1. Depress Handle and remove the #10 Torx Lock Screw. (Fig. 11)
2. Remove Standard Dogging Pin as shown in Fig. 12.
3. Depress Handle, insert optional Cat. No. 301117 Thumbturn Dogging Pin and Spring, Lock down with #10 Torx Lock Screw, then release Handle. (Fig. 13)

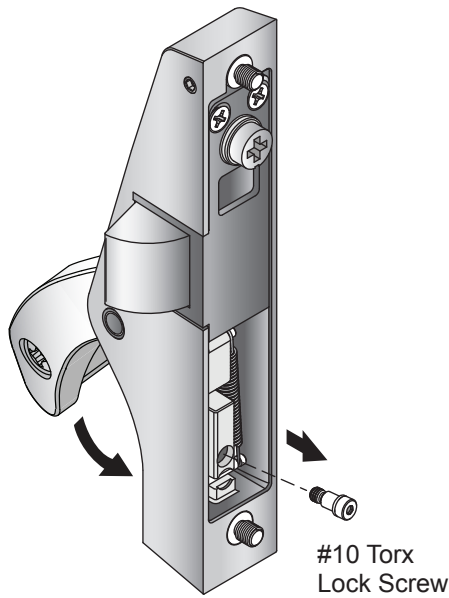
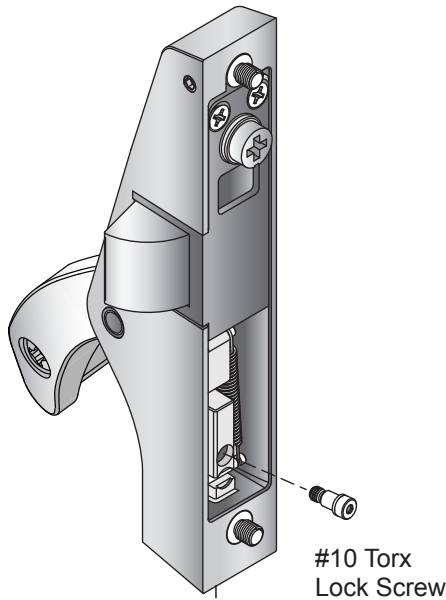


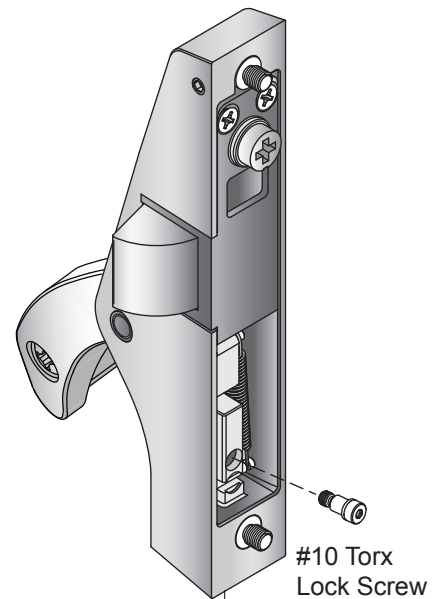
FIG. 11



Standard Dogging Pin

F

FIG. 12



#10 Torx Lock Screw

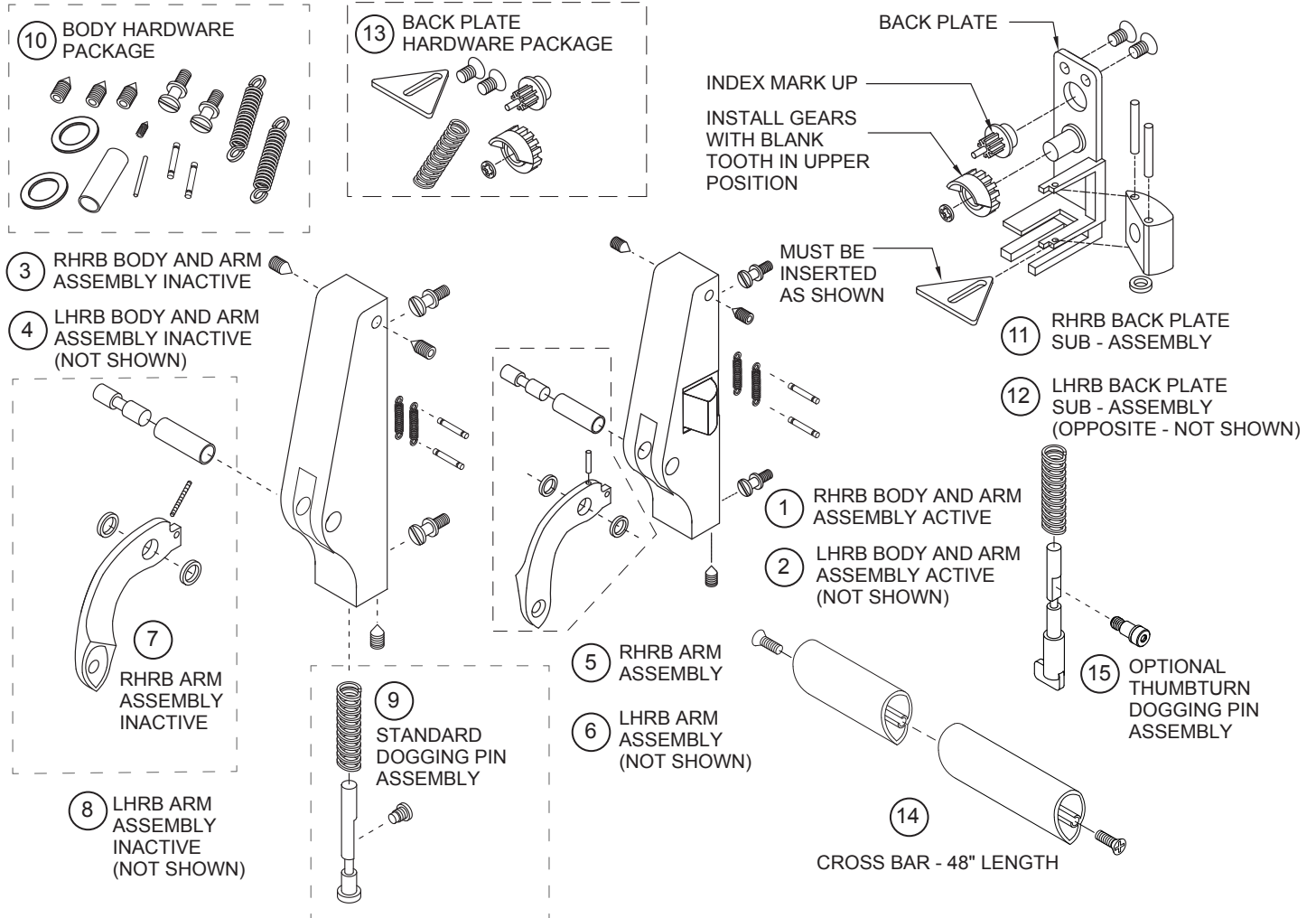
Optional Thumbturn Dogging Pin

G

FIG. 13

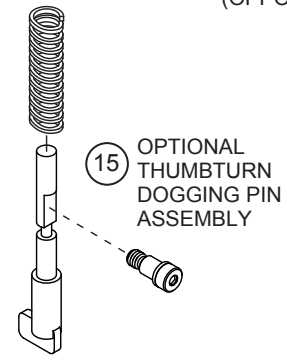
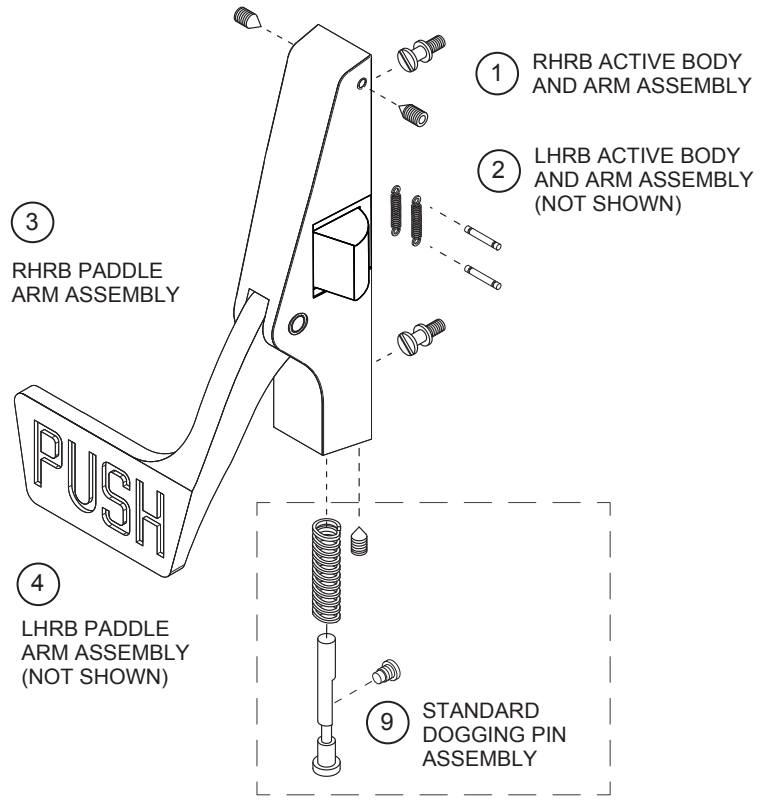
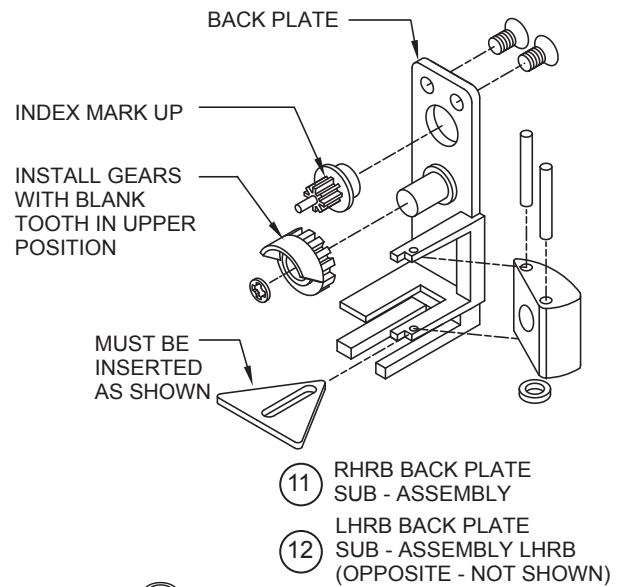
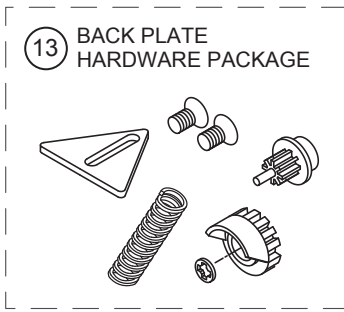
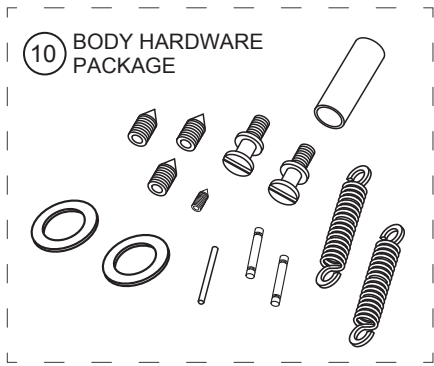
NOT TO SCALE

PACKAGED PARTS AVAILABLE



Assembly No.	Part No.	Description
1	30988	RHRB - ACTIVE BODY AND ARM ASSEMBLY
2	30989	LHRB - ACTIVE BODY AND ARM ASSEMBLY (NOT SHOWN)
3	30990	RHRB - INACTIVE BODY AND ARM ASSEMBLY
4	30991	LHRB - INACTIVE BODY AND ARM ASSEMBLY (NOT SHOWN)
5	301247	RHRB - ARM ASSEMBLY
6	301248	LHRB - ARM ASSEMBLY (NOT SHOWN)
7	301242	RHRB - ARM ASSEMBLY
8	301243	LHRB - ARM ASSEMBLY (NOT SHOWN)
9	301115	STANDARD DOGGING PIN ASSEMBLY
10	30851	BODY HARDWARE PACKAGE
11	30846	RHRB - BACK PLATE SUB - ASSEMBLY
12	30847	LHRB - BACK PLATE SUB - ASSEMBLY (NOT SHOWN)
13	30852	BACK PLATE HARDWARE PACKAGE
14	30733PKG	48" (1219 mm) CROSSBAR WITH SCREWS
15	301117	OPTIONAL THUMBTURN DOGGING PIN ASSEMBLY

PACKAGED PARTS AVAILABLE



Assembly No.	Part No.	Description
1	30998	RHRB - ACTIVE BODY AND PADDLE ASSEMBLY
2	30999	LHRB - ACTIVE BODY AND PADDLE ASSEMBLY (NOT SHOWN)
3	301245	RHRB - PADDLE ARM ASSEMBLY
4	301246	LHRB - PADDLE ARM ASSEMBLY (NOT SHOWN)
9	301115	STANDARD DOGGING PIN ASSEMBLY
10	30851	BODY HARDWARE PACKAGE
11	30846	RHRB - BACK PLATE SUB - ASSEMBLY
12	30847	LHRB - BACK PLATE SUB - ASSEMBLY (NOT SHOWN)
13	30852	BACK PLATE HARDWARE PACKAGE
14	301117	OPTIONAL THUMBTURN DOGGING PIN ASSEMBLY