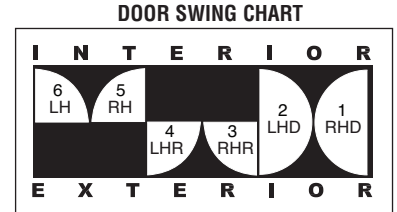


COMPANY NAME _____ PHONE _____
 CONTACT _____ ACCOUNT NO. _____ FAX _____
 JOB NAME _____ EMAIL _____

QUOTE ORDER P.O. # _____ DATE _____

SERIES	STANDARD PROFILE DIMENSIONS		
	STILE	TOP RAIL	BOTTOM RAIL
DURAFRONT 800 MEDIUM STILE	3-1/2"	3-11/16"	6-1/2"
DURAFRONT 850 MEDIUM STILE	5"	5-1/2"	6-1/2"



Use the Door Swing Chart to determine how the door(s) should be handed.

DOOR STILE

Durafront Entrance

800 Medium

850 Wide

TOP RAIL

Standard 6-1/2"

3-11/16" - Min for OHCC 9-1/2"

5-1/2" - No OHCC Custom

GLASS STOP

With 1/4" Square Glass Stops

With 1/4" Bevel Glass Stops

With 1" Glass Stops

Other _____

DOOR FINISH

11 - Clear Anodized

22 - Dark Bronze Anodized

33 - Black Anodized

52 - Bone White 70% KYNAR® (2-Coat)

71 - Standard 70% KYNAR® (2-Coat) Standard Color per Chart) - Specify _____

BOTTOM RAIL

Standard Custom

6-1/2"

7-1/2"

9-1/2"

CLEARANCES/ THRESHOLDS

Clearance From Bottom of Door to Finish Floor

Custom Specify _____

Thresholds

4" Standard for Center Hung Doors

4-3/4" Standard for Offset Hung Doors

Custom Specify _____

By USALUM By Others

NOTE: Prep Only Requires Manufacturer's Name , Model, and Template

Manufacturer: _____

Model: _____

71 - Custom 70% KYNAR® (2-Coat) - Specify _____

71 - Custom 70%KYNAR®(3-Coat) - Specify _____

DOOR HINGING

Continuous Geared Hinge

1 Pair Butt Hinges

Intermediate Butt Hinges for Doors Over 84"

Add _____ per Door

Top/Bottom Offset Pivots (DH141/DH142)

Standard DH140 Intermediate Pivots for Doors Over 84"

Add _____ per Door

***MID-PANEL (MUNTIN)**

5/8" 5" 7-1/2"

2" 6-3/16" 9-1/2"

4-1/8" 6-1/2" Custom

* Dimensions do not include stops. _____

HARDWARE FINISH DOOR FINISH

• Clear 11, 12, 52, 71

• Bronze 22, 33

Specify _____

DOOR CLOSER

O.H. Concealed (Double Acting-Prep Only)

Standard Jackson Closer (Supply)

O.H. Concealed (Offset-Prep Only)

Standard Jackson Closer (Supply)

90° 105° Hold Open Yes No

CRL Surface Mount Closer (Supply)

Drop Plate

Door Stop/Holder Degree _____

No Closer Required

Custom By USALUM By Customer

Prep and Supply Prep Only

NOTE: Prep Only Requires Manufacturer's Name , Model, and Template

Manufacturer: _____

Model: _____

PUSH/PULL HARDWARE

Standard Push Bars

Standard Push/Pull

Offset Pulls

None

Custom By USALUM By Customer

Prep and Supply Prep Only

NOTE: Prep Only Requires Manufacturer's Name , Model, and Template

Manufacturer: _____

Model: _____

DOOR OPENING SIZE

36" x 84"

Custom Single _____

Door Tag # _____

72" x 84"

Custom Pair _____

Door Tag # _____

DOOR SWING QTY

LHR Hinge Left Swing Out _____ ea.

RHR Hinge Right Swing Out _____ ea.

LH Hinge Left Swing In _____ ea.

RH Hinge Right Swing In _____ ea.

LHD Hinge Left Double Acting _____ ea.

RHD Hinge Right Double Acting _____ ea.

PAIR Swing In _____ ea.

PAIR Swing Out _____ ea.

PAIR Double Acting _____ ea.

FOR OFFICE USE ONLY

TAKEN BY: _____

PRICED BY: _____

EDITED BY: _____

LOCKING OPTIONS

- MS Hookbolt With Two Cylinders - **STD**
- Long Throw Deadlock With Cylinders
- 3-Point Locking @ Pair With Cylinders
- Latch/Deadlock (DH189) With Cylinders
- Thumbturn in Lieu of Cylinder
- Latchlock (DH002)
- Cylinder (Ext.) Thumbturn (Int.)
- Lock Indicator
- Cylinder Guard
- Flushbolts
- Paddle Handle
- DH569 Lever Handle
 - Interior Back to Back
- CRL DH52150 Lever Handle
 - Interior Back to Back
- Electric Strike
- Custom By USALUM By Customer
- Prep and Supply Prep Only Blank (No Prep)

NOTE: Prep Only Requires Manufacturer's Name ,
Model, and Template
Manufacturer: _____
Model: _____

FRAME SYSTEM

- Series 450** 1-3/4" x 4-1/2" Tubular (JH475)
- Series 451** 2" x 4-1/2" Tubular (IH476)
- Flush Front** 1-3/4" x 4-1/2" FF450 (FH436)
- Flush Front** 2" x 4-1/2" FF451 (FH536)
- Subframe** 1" x 4-1/2" 1" x 4-1/2" (TJ455)
- Custom: Specify _____

FRAME TYPE

- Up and Over (No Transom)
- 126" (3.2 m) High With Transom
- Frame Only
- Door Only (No Frame)
- Custom

DOOR SWEEP

- Yes No
- Exposed Fasteners
- Concealed Fasteners

CONCRETE SWEEP

- Top Rail
- Bottom Rail

PANIC DEVICES

- Concealed Vertical Rod Panics
- Jackson 1285
 - Jackson 2086
 - Jackson 1085
 - Adams Rite 8600
 - With Cylinder on Active Leaf
 - Exit Only
 - With Cylinders on Pair (Both Leaf's)

Rim Panics

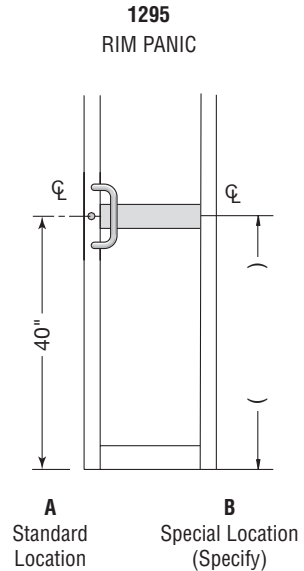
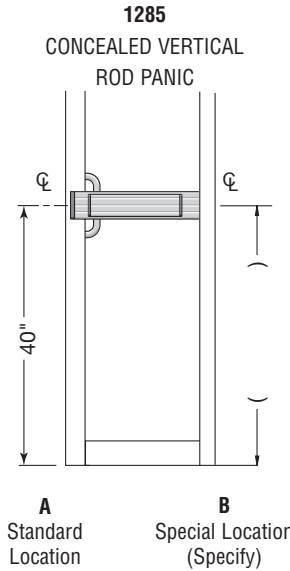
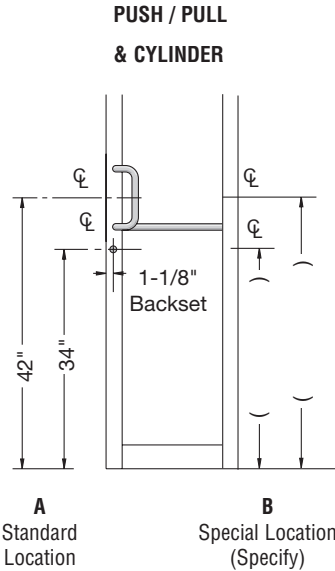
- Jackson 1295
- Jackson 2095
- Jackson 1095
- Adams Rite 8800
- With Cylinder on Active Leaf
- Exit Only
- Removable Mullion (For Pair of Doors)
- With Cylinders on Pair (Both Leaf's)

Mortise Panics

- Adams-Rite 8400
- CRL-Blumcraft Panic
- Custom By USALUM By Customer
- Prep and Supply Prep Only

NOTE: Prep Only Requires Manufacturer's Name ,
Model, and Template

Manufacturer: _____
Model: _____

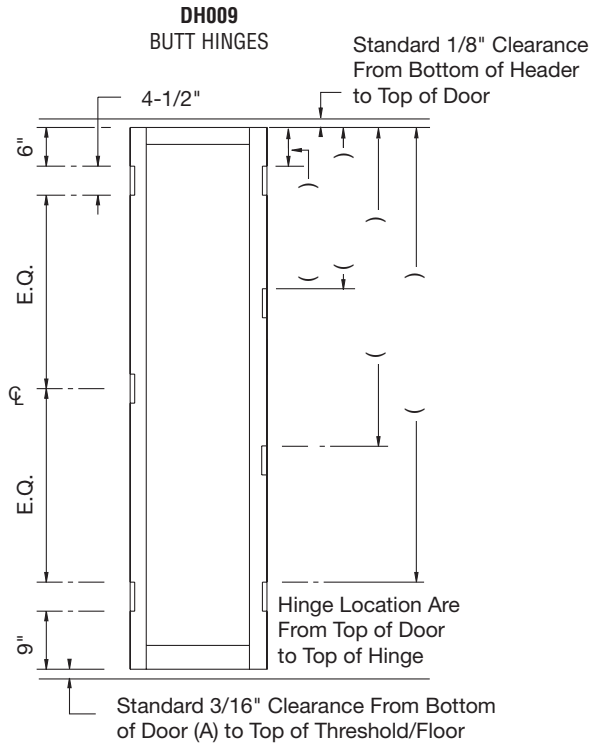


FOR OFFICE USE ONLY

TAKEN BY: _____
PRICED BY: _____
EDITED BY: _____

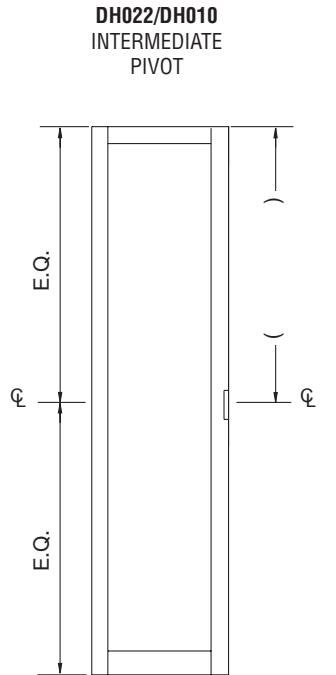
APPROVED BY _____

DATE _____



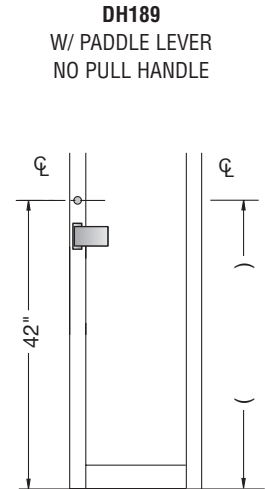
A
Standard Location

B
Special Location (Specify)



A
Standard Location

B
Special Location (Specify)



A
Standard Location

B
Special Location (Specify)

ADDITIONAL NOTES OR SKETCHES

FOR OFFICE USE ONLY

TAKEN BY: _____

PRICED BY: _____

EDITED BY: _____

APPROVED BY _____

DATE _____