

COMPANY NAME _____	PHONE _____
CONTACT _____ ACCOUNT NO. _____	FAX _____
JOB NAME _____	EMAIL _____

QUOTE ORDER P.O. # _____ DATE _____

CAT. NO.	RATING	U-FACTOR	MAXIMUM SIZE	MINIMUM SIZE
TV805	CW65	.59 to .37	60" x 90" (1524 x 2286 mm)	20" x 20"

- FINISHES**
- 11 - Clear Anodized Class I
 - 22 - Dark Bronze / Black Anodized Class I
 - 52 - Bone White 70% KYNAR® (2-Coat)
 - 71 - Standard 70% KYNAR® (2-Coat) Standard Color per Chart - Secify

- GLAZING (NOT INCLUDED)**
- 1" (25 mm) Only

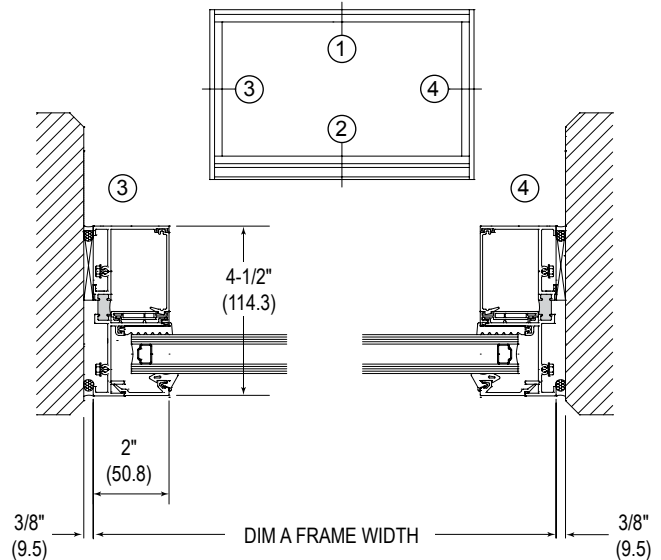
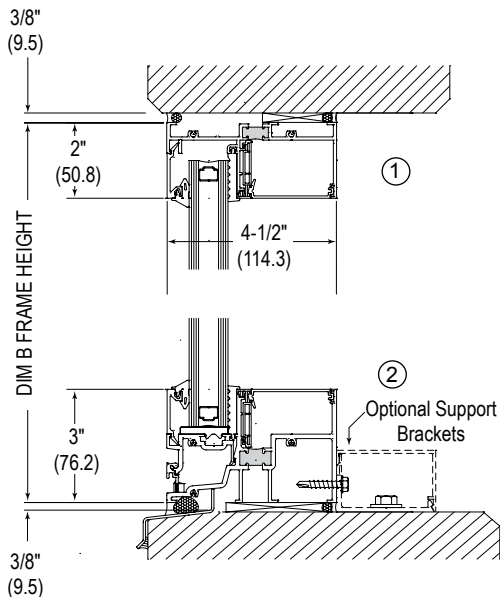
GLASS SIZE FORMULAS

- Glass Size Formulas For Single Window Configuration 8100 Fixed Window
- Glass Width = Frame Width Minus 2" (50.8)
 - Glass Height = Frame Height Minus 3" (76.2)

- DEFAULT OPTIONS IN BOLD**
- Frame
 - Block Frame**
 - Fin Frame
 - Anchor/Trim (SH886 and SH885)
 - Supplied in 24' Stock Length**
 - Fabricated

MARK	QTY	DIM A (WIDTH)	DIM B (HEIGHT)

- REQUIRED SELECTION**
- Isolators • Anti-Lift/Limit Block
 - Gray Black Gray Black
 - Caps
 - Gray Black



FOR OFFICE USE ONLY

TAKEN BY: _____

PRICED BY: _____

EDITED BY: _____

APPROVED BY _____ DATE _____