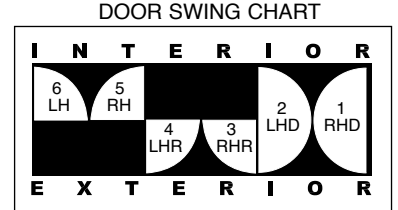


COMPANY NAME _____ PHONE _____
CONTACT _____ ACCOUNT NO. _____ FAX _____
JOB NAME _____ EMAIL _____

QUOTE ORDER P.O. # DATE

Table with 4 columns: SERIES, STILE, TOP RAIL, BOTTOM RAIL. Rows include DURA FRONT 800 MEDIUM STILE and DURA FRONT 850 MEDIUM STILE.



Use the Door Swing Chart to determine how the door(s) should be handed.

DOOR STILE

- Durafront Entrance
800 Medium
850 Wide

DOOR FINISH

- 11 - Clear Anodized Class I
22 - Dark Bronze / Black Anodized Class I
52 - Bone White 70% KYNAR (2-Coat)
71 - Standard 70% KYNAR (2-Coat)
71 - Custom 70% KYNAR (2-Coat) - Specify
71 - Custom 70% KYNAR (3-Coat) - Specify

HARDWARE FINISH DOOR FINISH

- Clear 11, 12, 52, 71
Bronze 22
Specify

DOOR OPENING SIZE

- 36" x 84"
Custom Single
72" x 84"
Custom Pair

DOOR SWING QTY

- LHR Hinge Left Swing Out
RHR Hinge Right Swing Out
LH Hinge Left Swing In
RH Hinge Right Swing In
LHD Hinge Left Double Acting
RHD Hinge Right Double Acting
PAIR Swing In
PAIR Swing Out
PAIR Double Acting

TOP RAIL

- Standard 6-1/2"
3-11/16" - Min for OHCC 9-1/2"
5-1/2" - No OHCC Custom

BOTTOM RAIL

- Standard Custom
6-1/2"
7-1/2"
9-1/2"

DOOR HINGING

- Continuous Geared Hinge
1 Pair Butt Hinges
Intermediate Butt Hinges for Doors Over 84"
Add per Door
Top/Bottom Offset Pivots (DH141/DH142)
Standard DH140 Intermediate Pivots for Doors Over 84"
Add per Door

Power Transfer

- Center Pivot (Double Acting)
Custom By USALUM By Customer
Prep and Supply Prep Only Blank (No Prep)
NOTE: Prep Only Requires Manufacturer's Name, Model, and Template
Manufacturer:
Model:

PUSH/PULL HARDWARE

- Standard Push Bars
Standard Push/Pull
Offset Pulls
None
Custom By USALUM By Customer
Prep and Supply Prep Only
NOTE: Prep Only Requires Manufacturer's Name, Model, and Template
Manufacturer:
Model:

GLASS STOP

- With 1/4" Square Glass Stops
With 1/4" Bevel Glass Stops
With 1" Glass Stops
Other

CLEARANCES/ THRESHOLDS

- Clearance From Bottom of Door to Finish Floor
Custom Specify
Thresholds
4" Standard for Center Hung Doors
4-3/4" Standard for Offset Hung Doors
Custom Specify
By USALUM By Others
NOTE: Prep Only Requires Manufacturer's Name, Model, and Template
Manufacturer:
Model:

*MID-PANEL (MUNTIN)

- 5/8" 5" 7-1/2"
2" 6-3/16" 9-1/2"
4-1/8" 6-1/2" Custom

* Dimensions do not include stops.

DOOR CLOSER

- O.H. Concealed (Double Acting-Prep Only)
Standard Jackson Closer (Supply)
O.H. Concealed (Offset-Prep Only)
Standard Jackson Closer (Supply)
90° 105° Hold Open Yes No
CRL Surface Mount Closer (Supply)
Drop Plate
Door Stop/Holder Degree
No Closer Required
Custom By USALUM By Customer
Prep and Supply Prep Only
NOTE: Prep Only Requires Manufacturer's Name, Model, and Template
Manufacturer:
Model:

FOR OFFICE USE ONLY

TAKEN BY:
PRICED BY:
EDITED BY:

LOCKING OPTIONS

- MS Hookbolt With Two Cylinders - **STD**
 - Long Throw Deadlock With Cylinders
 - 3-Point Locking @ Pair With Cylinders
 - Latch/Deadlock (DH189) With Cylinders
 - Thumbturn in Lieu of Cylinder
 - Latchlock (DH002)
 - Cylinder (Ext.) Thumbturn (Int.)
 - Lock Indicator
 - Cylinder Guard
 - Flushbolts
 - Paddle Handle
 - DH569 Lever Handle
 - Interior Back to Back
 - CRL DH52150 Lever Handle
 - Interior Back to Back
 - Electric Strike
 - Custom By USALUM By Customer
 - Prep and Supply Prep Only Blank (No Prep)
- NOTE:** Prep Only Requires Manufacturer's Name , Model, and Template
 Manufacturer: _____
 Model: _____

FRAME SYSTEM

- Series 450** 1-3/4" x 4-1/2" Tubular (JH475)
- Series 451** 2" x 4-1/2" Tubular (IH476)
- Flush Front** 1-3/4" x 4-1/2" FF450 (FH436)
- Flush Front** 2" x 4-1/2" FF451 (FH536)
- Subframe** 1" x 4-1/2" 1" x 4-1/2" (TJ455)
- Custom: Specify _____

FRAME TYPE

- Up and Over (No Transom)
- 126" (3.2 m) High With Transom
- Frame Only
- Door Only (No Frame)
- Custom

DOOR SWEEP

- Yes No
- Exposed Fasteners
- Concealed Fasteners

PANIC DEVICES

- Concealed Vertical Rod Panics
- Jackson 1285
 - Jackson 2086
 - Jackson 1085
 - Adams Rite 8600
 - With Cylinder on Active Leaf
 - Exit Only
 - With Cylinders on Pair (Both Leaf's)

Rim Panics

- Jackson 1295
- Jackson 2095
- Jackson 1095
- Adams Rite 8800
- With Cylinder on Active Leaf
- Exit Only
- Removable Mullion (For Pair of Doors)
- With Cylinders on Pair (Both Leaf's)

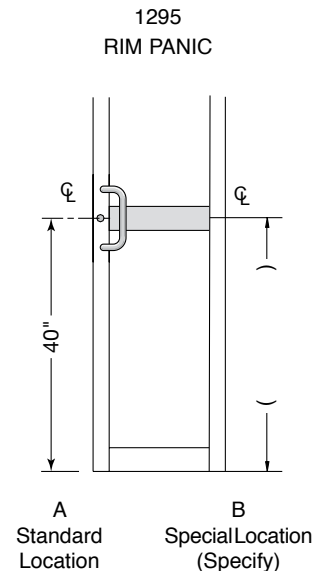
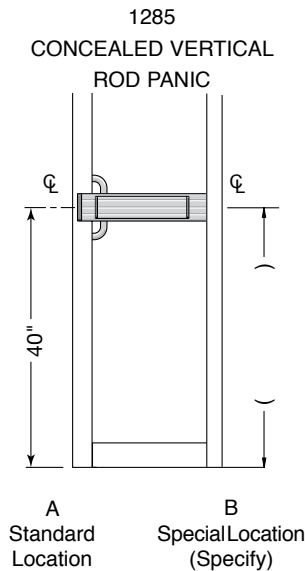
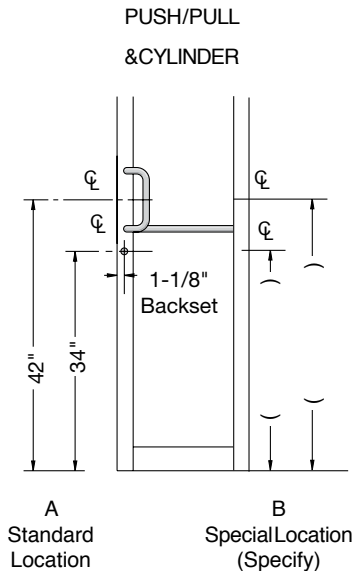
Mortise Panics

- Adams-Rite 8400
- CRL-Blumcraft Panic
- Custom By USALUM By Customer
- Prep and Supply Prep Only

NOTE: Prep Only Requires Manufacturer's Name , Model, and Template

Manufacturer: _____

Model: _____



APPROVED BY _____

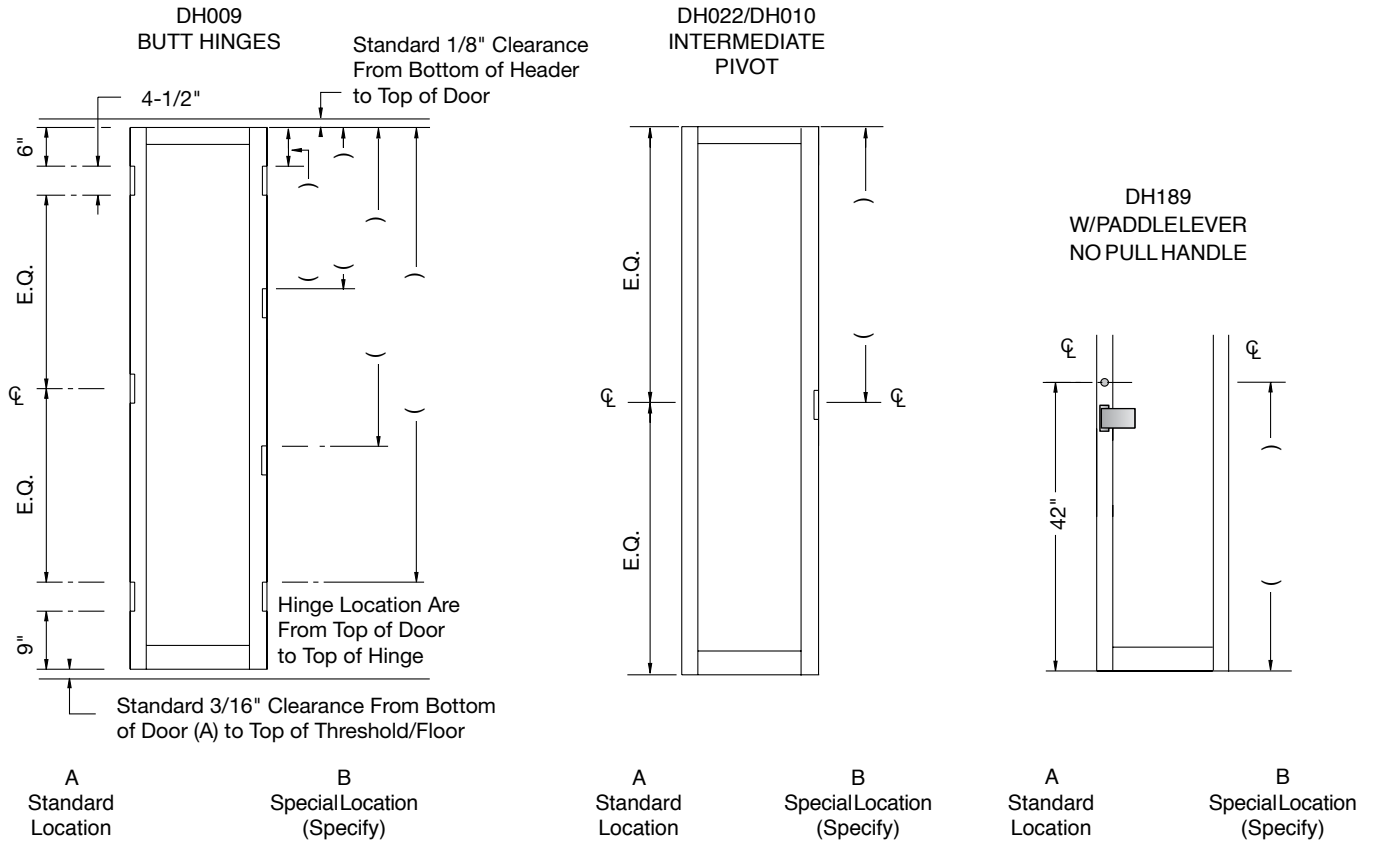
DATE _____

FOR OFFICE USE ONLY

TAKEN BY: _____

PRICED BY: _____

EDITED BY: _____



ADDITIONAL NOTES OR SKETCHES

<p>Grid area for additional notes or sketches.</p>	<p>FOR OFFICE USE ONLY</p> <p>TAKEN BY: _____</p> <p>PRICED BY: _____</p> <p>EDITED BY: _____</p>
--	--

APPROVED BY _____ DATE _____