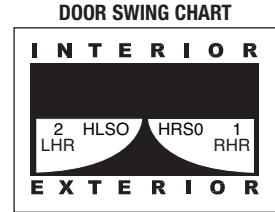


COMPANY NAME _____ PHONE _____
 CONTACT _____ ACCOUNT NO. _____ FAX _____
 JOB NAME _____ EMAIL _____

QUOTE ORDER P.O. # _____ DATE _____

SERIES	THICKNESS	STANDARD STILE DIMENSION	
		BUTT HINGE	GEAR HINGE
<input type="checkbox"/> 375TC MEDIUM STILE	2-1/4"	3-3/4"	3-9/16"
<input type="checkbox"/> 500TC WIDE STILE HEAVY TRAFFIC	2-1/4"	5"	4-13/16"



Use the Door Swing Chart to determine how the door(s) should be handed.

DOOR SWING **OUTSWING ONLY** **QTY**

LHR Hinge Left Swing Out _____ ea.
 RHR Hinge Right Swing Out _____ ea.

PAIR

RHR (Hinge Right Swing Out) Active _____ ea.
 LHR (Hinge Left Swing Out) Active _____ ea.

DOOR FINISH

11 - Clear Anodized Class I - Standard
 22 - Dark Bronze Anodized Class I - Standard
 52 - Bone White 70% KYNAR® (2-Coat)
 71 - Standard 70% KYNAR® (2-Coat)
 Standard Color per Chart- Specify _____

71 - Custom 70% KYNAR® (2-Coat) - Specify _____

71 - Custom 70%KYNAR®(3-Coat) - Specify _____

HARDWARE FINISH **DOOR FINISH**

• Clear 11, 52, 71
 • Bronze 22

Specify _____

DOOR OPENING SIZE

36" x 84"
 Custom Single _____

Door Tag # _____

72" x 84"
 Custom Pair _____

Door Tag # _____

MAX DOOR OPENING PER DOOR:
 Medium Stile: 48" x 108"
 Wide Stile: 48" x 120"

DOOR GLAZING STOPS

- 1" (25 mm) Square Glass Stops

TOP RAIL

- 4"

MID RAIL

- 4"
- 8"

BOTTOM RAIL

- 8"
- 10"
- 12"

DOOR SWEEP

- Included With Each Door Leaf

DOOR HINGING

Butt Hinges (PPB 4 - 1/2" x .190") 3 Hinge Std., 4 Hinges if Door Opening Height exceeds 84"

Top/Bottom Offset Pivots by CRL

Intermediate Pivot
 1 Int. Pivot Required Std.
 2 Int. Pivots if Door Opening exceeds 90"

NOTE : No Substitutions Available

LOCKING OPTIONS

Adams Rite 1853-450 w/CYL B/B
 CYL Exterior T-Turn Interior

Adams Rite 1853 x 4015 x 4016 3PT Lock
 • For Pair
 CYL B/B
 CYL Exterior T-Turn Interior

FLUSH BOLTS - PAIRS ONLY

- No Flush Bolts
- DH008 Top/Bottom Flush Bolts

PANIC DEVICES

CVR PANIC

- Adams Rite 8600
- Falcon 1690
- Jackson 1285
- Jackson 2085
- Von Duprin 3347/3547
- Von Duprin 9847/9947 (for 500TC only)

RIM PANICS

- Adams Rite 8800
- Falcon 1790
- Jackson 2095
- Von Duprin 33A/35A
- Von Duprin 98/99 (for 500TC only)

TRIM

- Exit Only
- Exterior Cylinder Only
- Other _____

BLUMCRAFT

- See Blumcraft Order Form

PUSH/PULL HARDWARE

Standard Push/Pull CAT. NO. PR034/032
 Offset Pulls PR032

None _____

Prep and Supply Prep Only

NOTE: Prep Only Requires Manufacturing Name, Model, and Template

Manufacturer: _____
 Model: _____

DOOR CLOSER

- CRL Surface Mount Closer (Supply)
- Drop Plate
- By Others

FOR OFFICE USE ONLY

TAKEN BY: _____
PRICED BY: _____
EDITED BY: _____

CLEARANCES/THRESHOLD

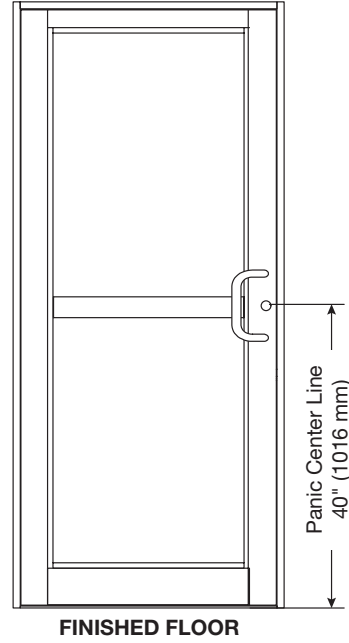
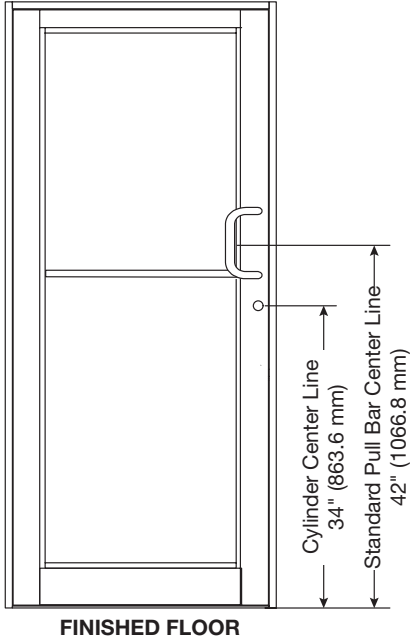
- Clearance from Bottom of Door to Finish Floor
- 1/2" Standard Threshold

FRAME SYSTEM

- Series 2"x 4-1/2" Thermal
- Subframe 1"x 4-1/2" Thermal

FRAME TYPE

- Up and Over (No Transom)
- With Transom Overall Length: _____
- Door Only
- Frame Only



(Standard For All Panic Hardware)

ADDITIONAL NOTES OR SKETCHES

Grid area for notes and sketches

FOR OFFICE USE ONLY

TAKEN BY: _____

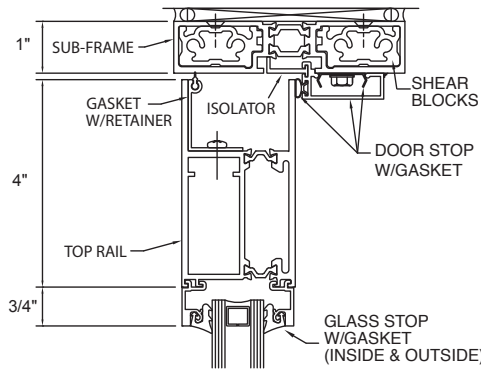
PRICED BY: _____

EDITED BY: _____

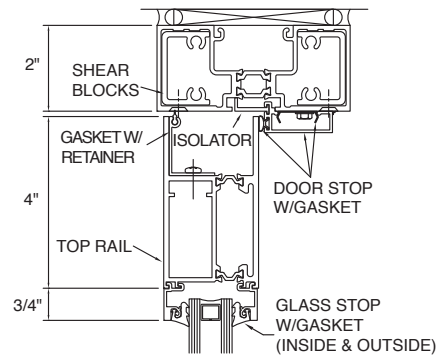
APPROVED BY _____

DATE _____

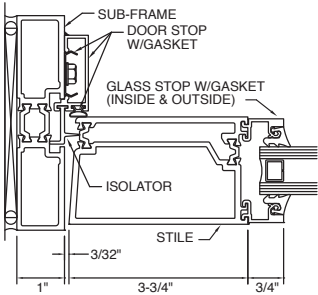
**375TC MEDIUM STILE
TOP RAIL WITH 1" FRAME**



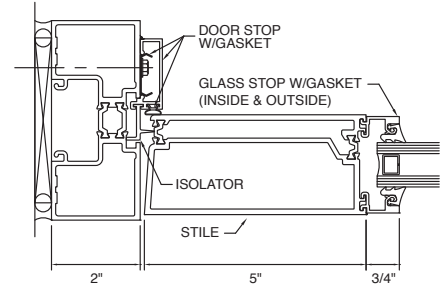
**500TC WIDE STILE
TOP RAIL WITH 2" FRAME**



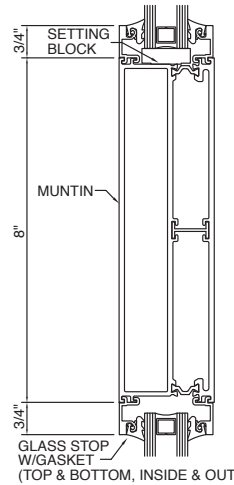
**HINGE STILE WITH
1" FRAME AND BUTT HINGE**



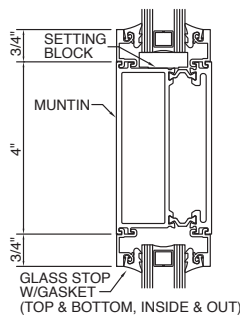
**HINGE STILE WITH
2" FRAME AND BUTT HINGE**



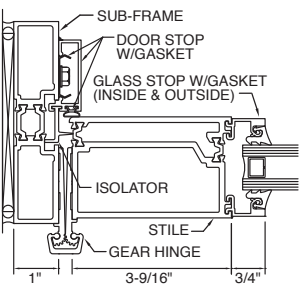
OPTIONAL 8" MUNTIN



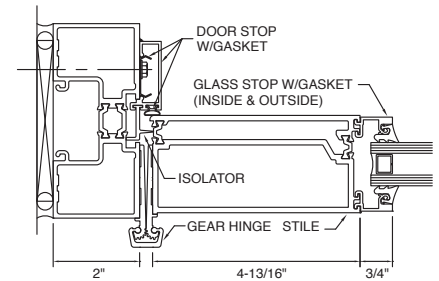
OPTIONAL 4" MUNTIN



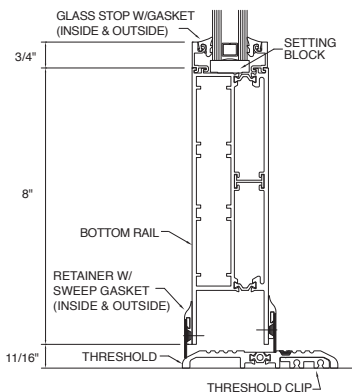
**HINGE STILE WITH
1" FRAME AND GEARED HINGE**



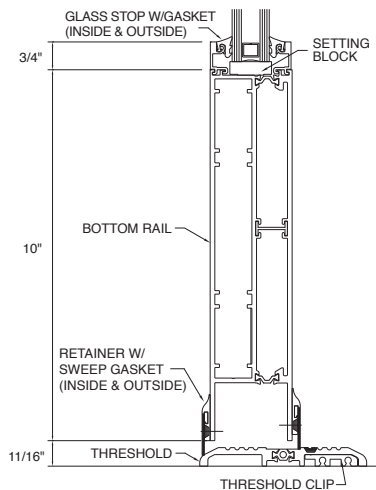
**HINGE STILE WITH
2" FRAME AND GEARED HINGE**



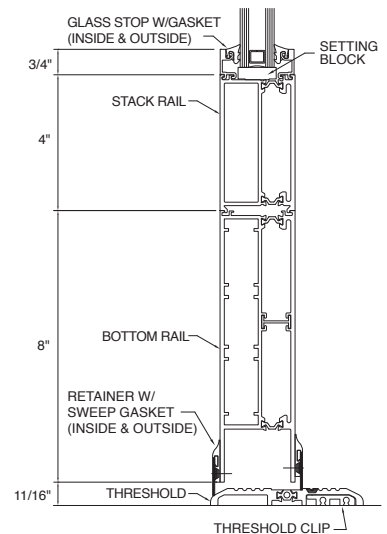
STANDARD BOTTOM RAIL



OPTIONAL 10" BOTTOM RAIL



OPTIONAL 12" BOTTOM RAIL



NOTE: Refer To Installation Instructions.