



Series 900 Terrace Door Quote/Order Form for
Outswing Door with Standard 3-5/16" Bottom Rail,
Optional 10" Bottom Rail, and Low Profile Threshold

Fax completed checklist to U.S. Aluminum Technical Sales at
(877) 883-7547. Then please call to review at (800) 627-6440.
This form is also available at usalum.com.

COMPANY NAME _____	PHONE _____
CONTACT _____ ACCOUNT NO. _____	FAX _____
JOB NAME _____	EMAIL _____

QUOTE **ORDER P.O. #** _____ **DATE** _____

HANDLE	HANDLE FINISH	CYLINDER BODY FINISH	CYLINDER KNOB FINISH
<input type="checkbox"/> Estate	<input type="checkbox"/> Polished Brass	Polished Brass	Polished Brass
<input type="checkbox"/> Heritage	<input type="checkbox"/> Brushed Chrome	Satin Nickel	Brushed Chrome
<input type="checkbox"/> Manor	<input type="checkbox"/> Satin Nickel	Satin Nickel	Satin Nickel
	<input type="checkbox"/> Polished Chrome	Satin Nickel	Polished Chrome
	<input type="checkbox"/> Oil Rubbed Bronze*	Oil Rubbed Bronze	Oil Rubbed Bronze
	<input type="checkbox"/> Rustic Umber	Rustic Umber	Rustic Umber
	<input type="checkbox"/> Matte Black*	Rustic Umber	Matte Black

* (Not Available on Heritage)

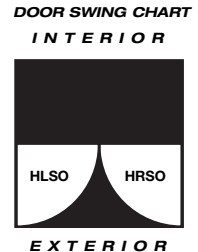
- STANDARD FEATURES**
- Door and Frame Shipped Assembled
 - Five Point Locking Device for Singles
 - Seven Point Locking Device for Pairs
 - 1-1/2 Pair Five - Knuckle Hinges With Non-Removable Stainless Steel Pins
 - Add Additional Butt Hinge
 - Additional Butt Hinge Required for Door/Frame Exceeding 84" Net Height
 - Optional 1-1/2" Pair Adjustable Pivot Hinges In Lieu of Butt Hinges
 - Add Additional Adjustable Pivot Hinge
 - Additional Adjustable Pivot Hinge Required for Door/Frame Exceeding 84" Net Height
 - Holder Arm
 - Glass Stops for 1" (25 mm) Glazing
 - Standard Bottom Rail
 - Low Profile Threshold
 - Handle Ordered and Shipped Separately

CYLINDER OPTIONS	CLOSER	GLAZED BY
<input type="checkbox"/> Interior Thumbturn/ Exterior Cylinder	Not Included	<input type="checkbox"/> Customer
<input type="checkbox"/> Interior Thumbturn/ Blank Exterior		<input type="checkbox"/> U.S. Aluminum

SINGLE DOOR/FRAME	THRESHOLD TYPE	HANDING
<input type="checkbox"/> Single Door Outswing With Up/Over Frame	<input type="checkbox"/> Type A <input type="checkbox"/> Type B	<input type="checkbox"/> HLSO <input type="checkbox"/> HRSO
<input type="checkbox"/> Single Door Outswing With Transom Frame	<input type="checkbox"/> Type A <input type="checkbox"/> Type B	<input type="checkbox"/> HLSO <input type="checkbox"/> HRSO
<input type="checkbox"/> Single Door 10" Bottom Rail Outswing With Up/Over Frame	• Type B	<input type="checkbox"/> HLSO <input type="checkbox"/> HRSO
<input type="checkbox"/> Single Door 10" Bottom Rail Outswing With Transome Frame	• Type B	<input type="checkbox"/> HLSO <input type="checkbox"/> HRSO

NOTE: Maximum Frame Size for Single is 48" x 96" With Transom up to 120". Maximum Frame Size for Pair is 84" x 96" With Transom up to 120". Minimum Height is 79".

CAT. NO.	DOOR MARK	QUANTITY	OUTSIDE FRAME DIMENSION		OVERALL FRAME HEIGHT WITH TRANSON
			Width	Height	



FOR OFFICE USE ONLY

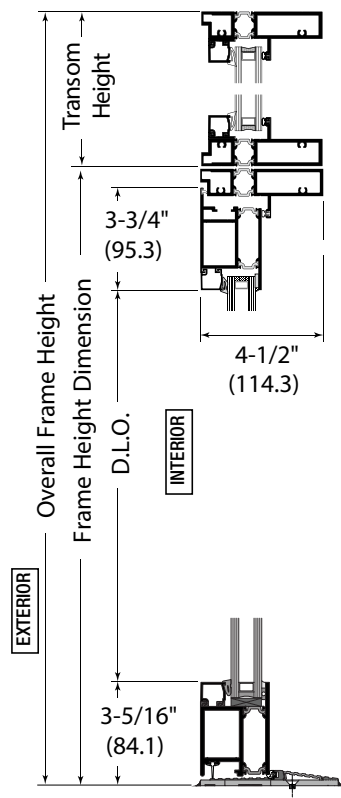
TAKEN BY: _____

PRICED BY: _____

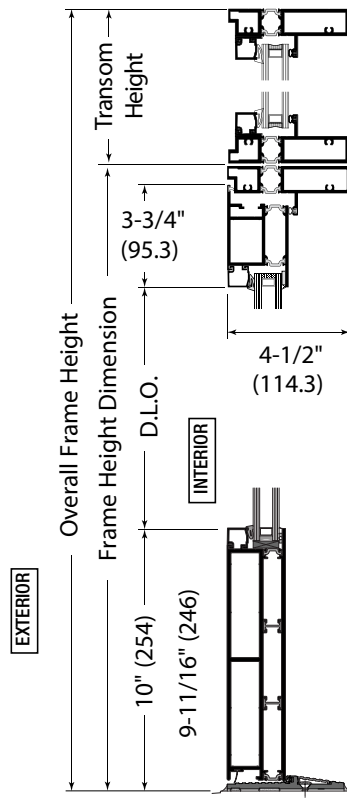
EDITED BY: _____

APPROVED BY _____ DATE _____

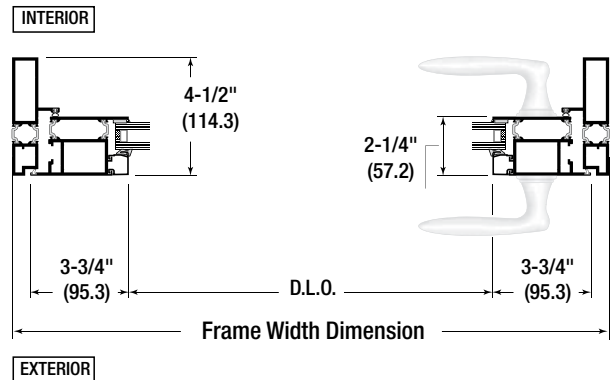
FINISHES	BUTT HINGE FINISHES	PIVOT HINGE FINISHES	THRESHOLD FINISHES
<input type="checkbox"/> 11 - Clear Anodized Class 1	• Clear Anodized	• Painted to Match	• Clear Anodized
<input type="checkbox"/> 22 - Dark Bronze / Black Anodized Class 1	• Bronze Anodized	• Painted to Match	• Bronze Anodized
<input type="checkbox"/> 00 - Custom 2-Tone Anodized Class I Interior: _____ Exterior: _____	• Painted to Match	• Painted to Match	• Anodized to Match
<input type="checkbox"/> 52 - Bone White 70% KYNAR® (2-Coat)	• Painted to Match	• Painted to Match	• Painted to Match
<input type="checkbox"/> 71 - Standard 70% KYNAR® (2-Coat) Standard Color per Chart - Specify	• Painted to Match	• Painted to Match	• Painted to Match
<input type="checkbox"/> 71 - Custom 70% KYNAR® (3-Coat) Specify	• Painted to Match	• Painted to Match	• Painted to Match
<input type="checkbox"/> 71 - Custom 2-Tone Finish 70% KYNAR UC99999T: <input type="checkbox"/> 2-Coat <input type="checkbox"/> 3-Coat Interior: _____ Exterior: _____			



***TYPE A**
STANDARD BOTTOM RAIL
AND 1/2" LOW PROFILE
THRESHOLD SHOWN



***TYPE B**
10" BOTTOM RAIL AND
1/2" LOW PROFILE
THRESHOLD SHOWN
HEAD, SILL, JAMB



SINGLE DOOR
(Hinged Left Outswing Shown)

APPROVED BY _____ DATE _____

FOR OFFICE USE ONLY	
TAKEN BY:	_____
PRICED BY:	_____
EDITED BY:	_____