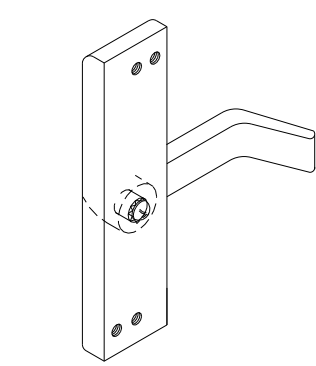


8500LVDT-01 OUTSIDE TRIM
WITH ROUND LEVER (SHOWN)



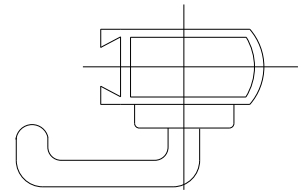
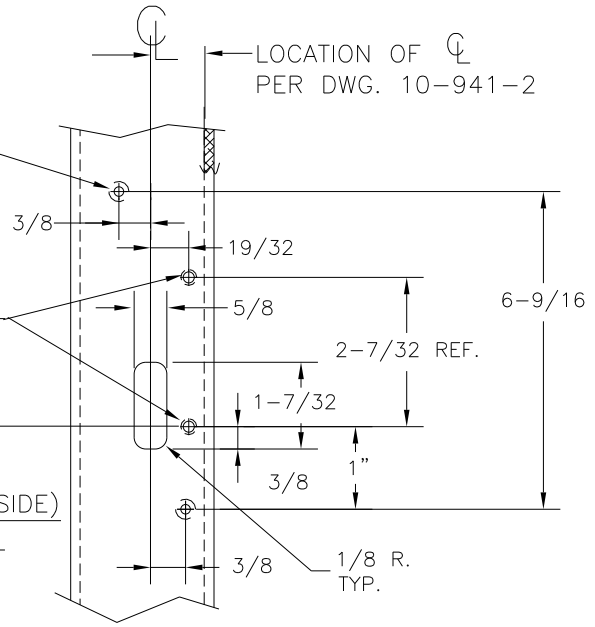
8500LVDT-02 OUTSIDE TRIM
WITH FLAT LEVER (ALT.)

DRILL & C'SINK
FOR 10-24 FHMS
2 PLACES

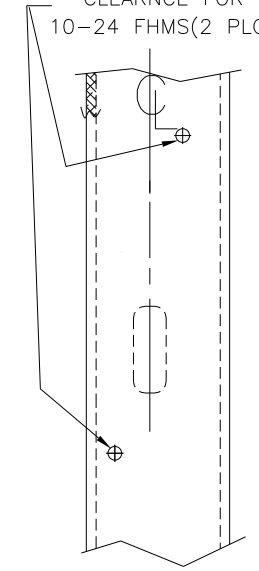
MTG. HOLES 1285 PANIC
AND 8500LV TRIM
SEE DWG. 10-941 FOR
COMPLETE INSTALLATION
OF 1285 PANIC

38-7/8" FROM BTM
OF DOOR

PANIC SIDE (INSIDE)
ACTIVE STILE

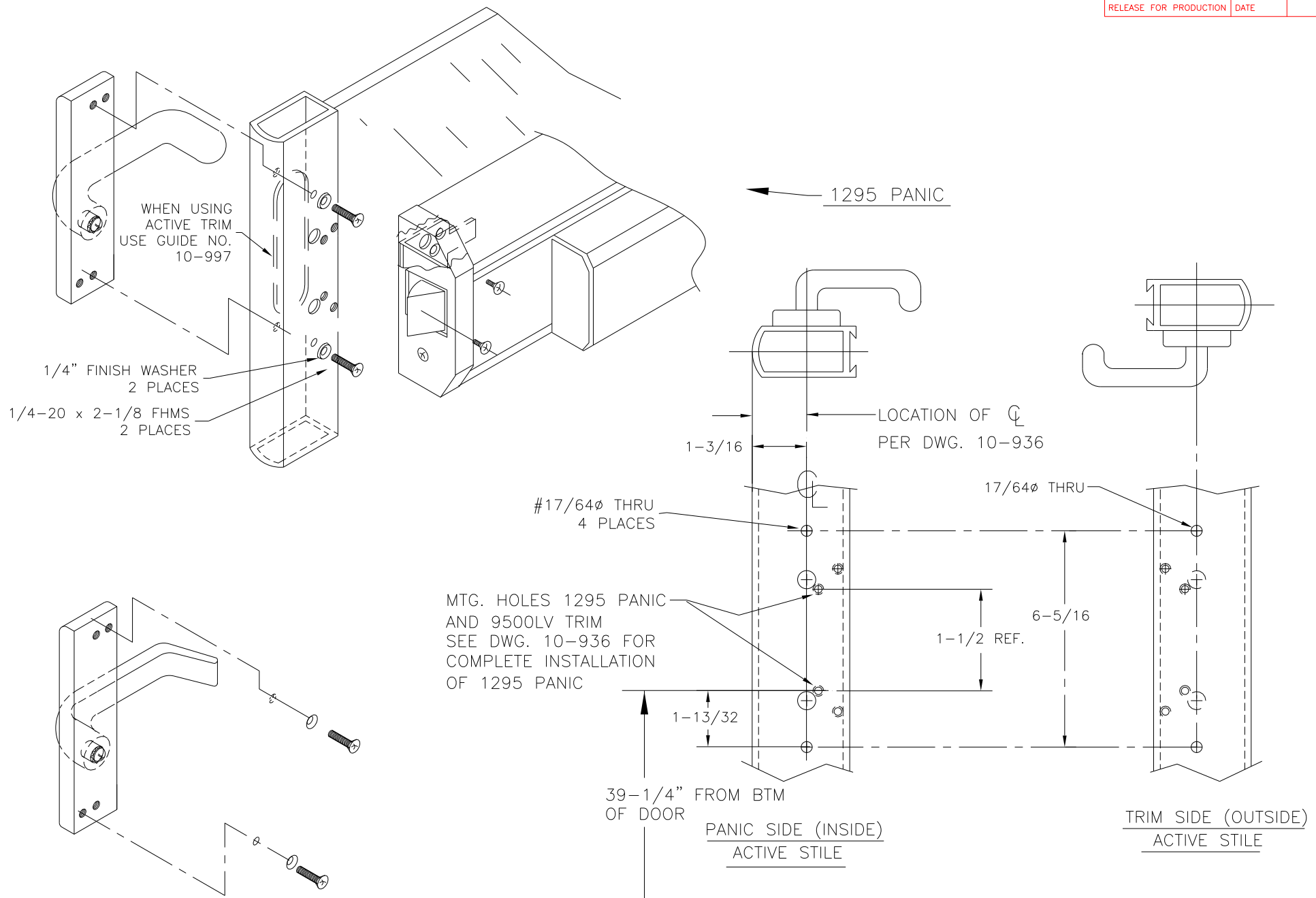


CLEARANCE FOR
10-24 FHMS(2 PLCS)



C 7/11/03 REVISE ACTIVE STILE PREP (HOLES)		APPROVALS		DATE	ECN1684 RM
DIMENSIONAL TOLERANCES UNLESS OTHERWISE SPECIFIED		APPROVED			 3447 UNION PACIFIC AVE. LOS ANGELES, CALIF. 90023
DECIMAL DIMENSIONS .XX ± .010		CHECKED			
DECIMAL DIMENSIONS .XXX ± .005		DRAWN	R.M.	01/30/01	
ANGULAR ± ° FRACTIONAL ± 1/64		SCALE		NONE	
MATERIAL					

NEXT ASSY.	FINISH	8500LVDT-01 INST. GUIDE (SHOWN)	SHEET 1 OF 1 SHEETS
QTY. USED	HEAT TREAT		DWG. NO. 10-1001



WHEN USING
ACTIVE TRIM
USE GUIDE NO.
10-997

1/4" FINISH WASHER
2 PLACES
1/4-20 x 2-1/8 FHMS
2 PLACES

MTG. HOLES 1295 PANIC
AND 9500LV TRIM
SEE DWG. 10-936 FOR
COMPLETE INSTALLATION
OF 1295 PANIC

1295 PANIC

LOCATION OF ϕ
PER DWG. 10-936

#17/64 ϕ THRU
4 PLACES

17/64 ϕ THRU

1-1/2 REF.

6-5/16

39-1/4" FROM BTM
OF DOOR

PANIC SIDE (INSIDE)
ACTIVE STILE

TRIM SIDE (OUTSIDE)
ACTIVE STILE

9500LVDT-01 OUTSIDE TRIM (SHOWN)

WITH ROUND LEVER

DIMENSIONAL TOLERANCES UNLESS OTHERWISE SPECIFIED		APPROVALS	DATE
DECIMAL DIMENSIONS .XX	$\pm .010$	APPROVED	
DECIMAL DIMENSIONS .XXX	$\pm .005$	CHECKED	
ANGULAR \pm	$\frac{\circ}{16}$ FRACTIONAL $\pm 1/64$	DRAWN	R.M. 03/05/01
MATERIAL		SCALE	NONE

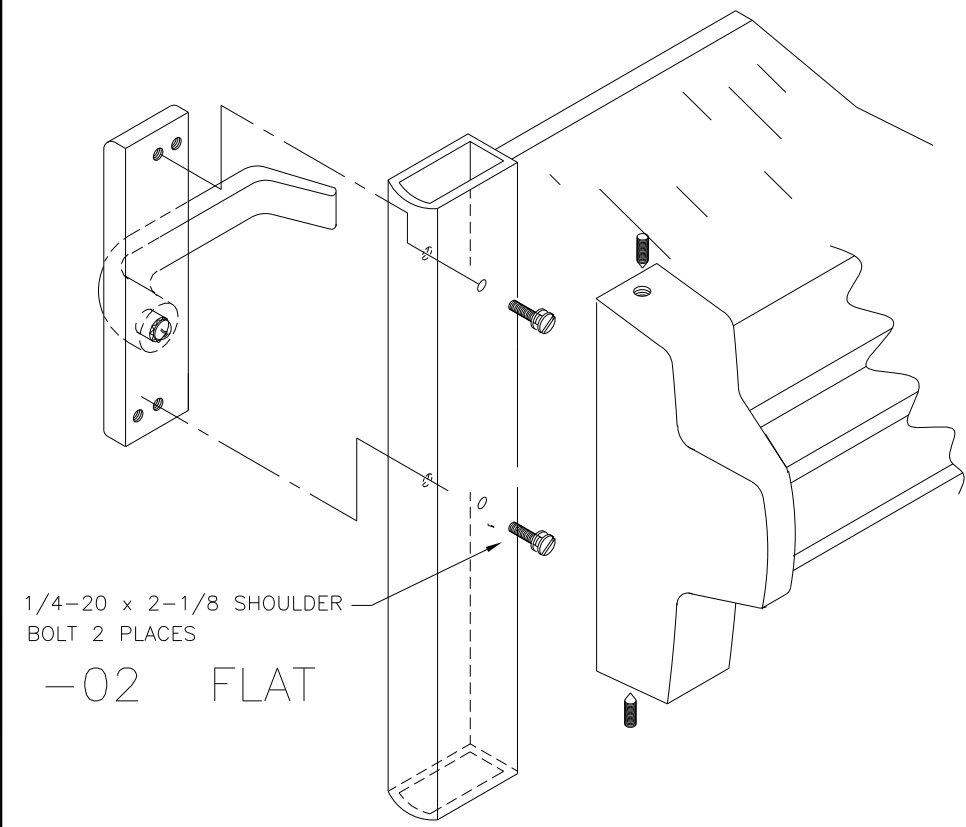
Jackson
CORPORATION

3447 UNION PACIFIC AVE.
LOS ANGELES, CALIF. 90023

NEXT ASSY.	FINISH
QTY. USED	HEAT TREAT

9500LV-01/02 SER. INST.
GUIDE

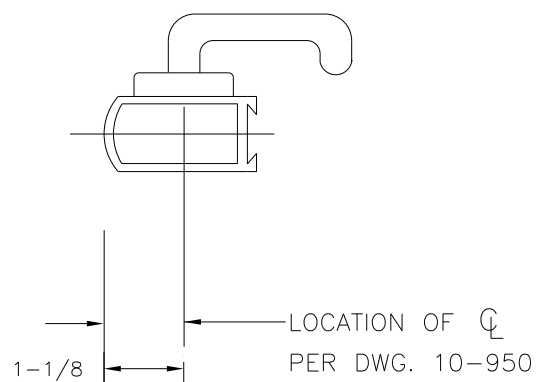
SHEET 1 OF 1 SHEETS	
DWG. NO.	REV.
10-1015	B



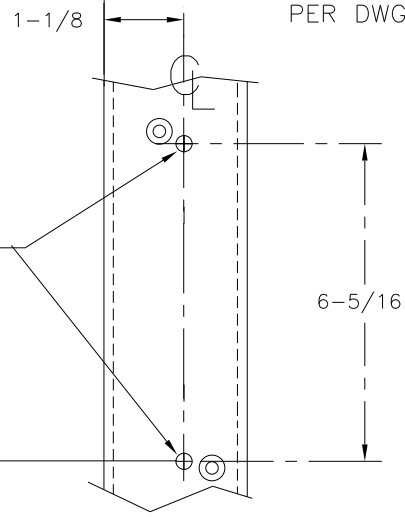
2085 PANIC

1/4-20 x 2-1/8 SHOULDER BOLT 2 PLACES

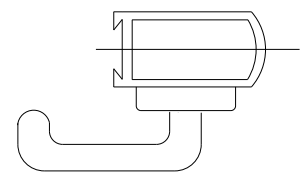
-02 FLAT



MTG. HOLES 2085/2086 PANIC AND 8500LVDT TRIM SEE DWG. 10-950 FOR COMPLETE INSTALLATION OF 2085/2086 PANIC

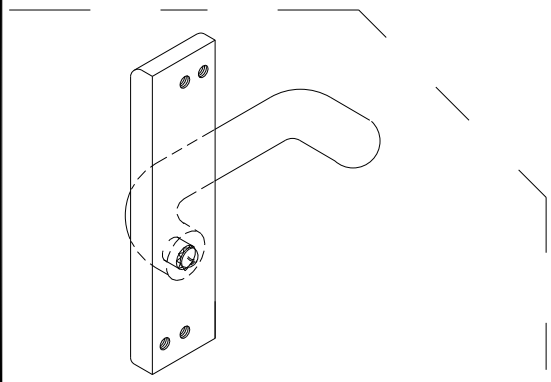


PANIC SIDE (INSIDE)
ACTIVE STILE



TRIM SIDE (OUTSIDE)
ACTIVE STILE

35" FROM BTM OF DOOR



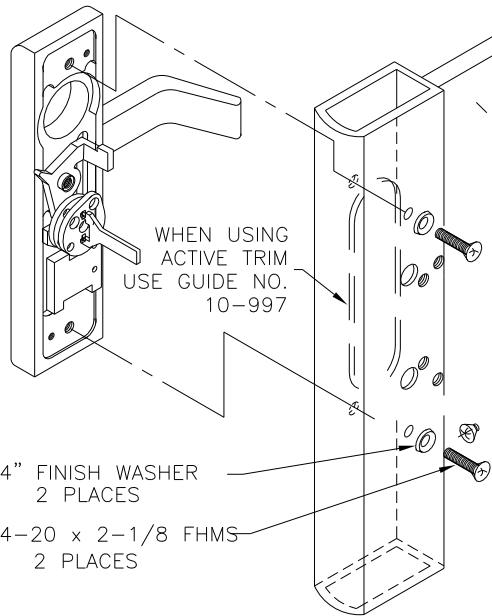
ALT. LEVER CONFIG.
-01 ROUND.

B 7/11/03 REVISE HOLES ON STILE PREP		ECN1684 RM	
DIMENSIONAL TOLERANCES UNLESS OTHERWISE SPECIFIED		APPROVALS	DATE
DECIMAL DIMENSIONS .XX	± .010	APPROVED	
DECIMAL DIMENSIONS .XXX	± .005	CHECKED	
ANGULAR ± °	FRACTIONAL ± 1/64	DRAWN	R.M. 07/03/01
MATERIAL		SCALE	NONE

Jackson
CORPORATION

3447 UNION PACIFIC AVE.
LOS ANGELES, CALIF. 90023

NEXT ASSY.	FINISH	INSTALLATION GUIDE 8500LVDT-XX 2085/2086	SHEET 1 OF 1 SHEETS
QTY. USED	HEAT TREAT		DWG. NO. 10-1030
			REV. B

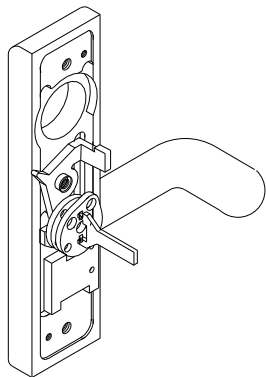


WHEN USING
ACTIVE TRIM
USE GUIDE NO.
10-997

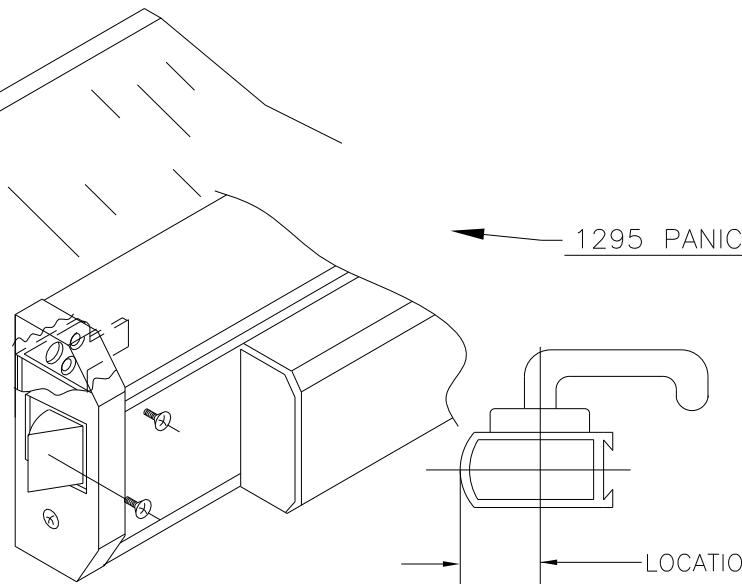
1/4" FINISH WASHER
2 PLACES

1/4-20 x 2-1/8 FHMS
2 PLACES

9500LV-02 OUTSIDE TRIM (SHOWN)
WITH FLAT LEVER



9500LV-01 OUTSIDE TRIM (SHOWN)
WITH ROUND LEVER



1295 PANIC

#17/64Ø THRU
4 PLACES

MTG. HOLES 1295 PANIC
AND 9500LV TRIM
SEE DWG. 10-936 FOR
COMPLETE INSTALLATION
OF 1295 PANIC

39-1/4" FROM BTM
OF DOOR

PANIC SIDE (INSIDE)
ACTIVE STILE

1-3/16

1-13/32

LOCATION OF ϕ
PER DWG. 10-936

17/64Ø THRU

1-1/2 REF.

6-5/16

TRIM SIDE (OUTSIDE)
ACTIVE STILE

DIMENSIONAL TOLERANCES UNLESS OTHERWISE SPECIFIED	
DECIMAL DIMENSIONS .XX	± .010
DECIMAL DIMENSIONS .XXX	± .005
ANGULAR ± °	FRACTIONAL ± 1/64
MATERIAL	

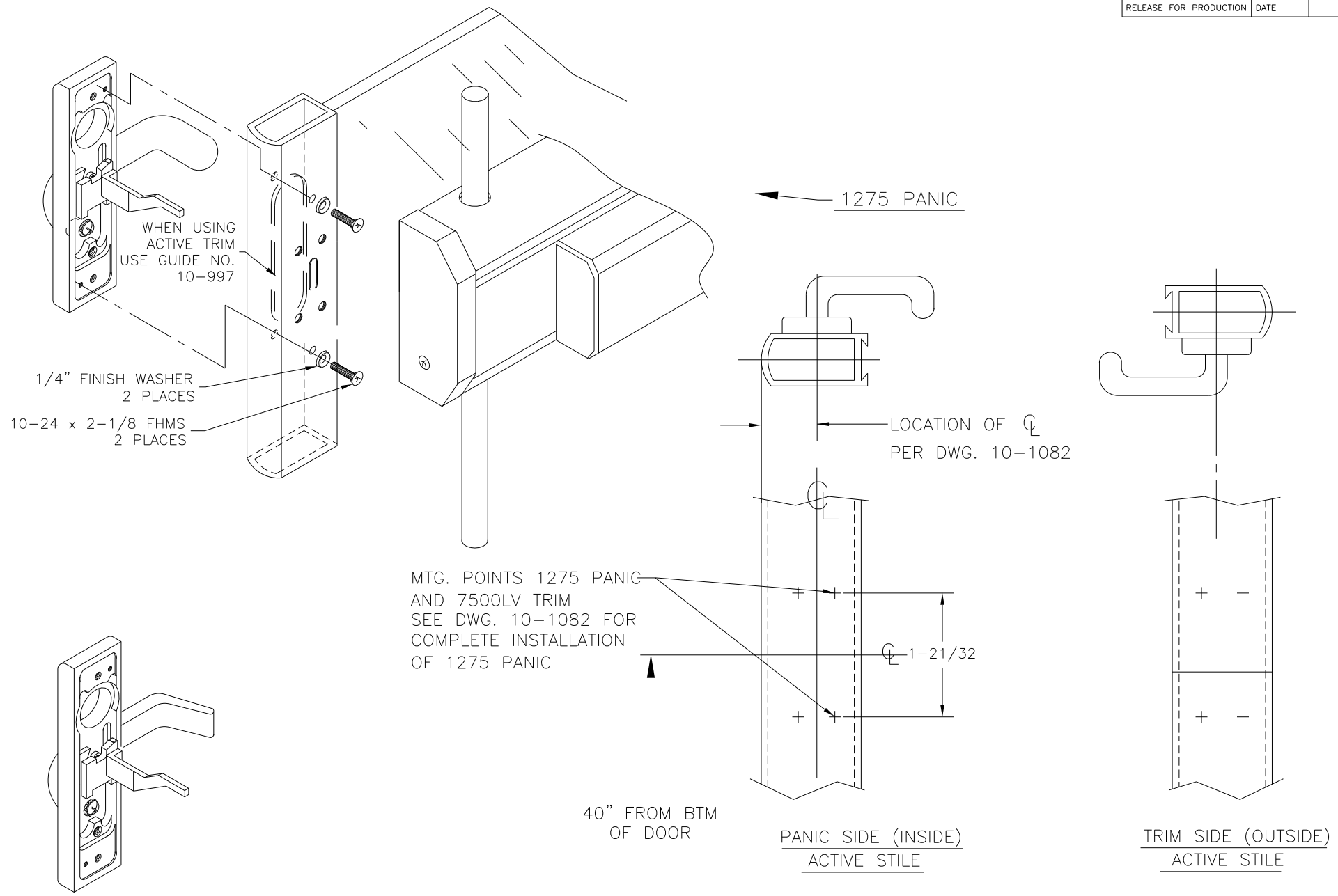
APPROVALS	DATE
APPROVED	
CHECKED	
DRAWN	R.M. 8/20/03
SCALE	NONE

jackson
CORPORATION
3447 UNION PACIFIC AVE.
LOS ANGELES, CALIF. 90023

NEXT ASSY.	FINISH
QTY. USED	HEAT TREAT

9500LV-01/02 SER. INST.
GUIDE

SHEET 1 OF 1 SHEETS	
DWG. NO.	REV.
10-1045	A



WHEN USING
ACTIVE TRIM
USE GUIDE NO.
10-997

1/4" FINISH WASHER
2 PLACES
10-24 x 2-1/8 FHMS
2 PLACES

MTG. POINTS 1275 PANIC
AND 7500LV TRIM
SEE DWG. 10-1082 FOR
COMPLETE INSTALLATION
OF 1275 PANIC

40" FROM BTM
OF DOOR

PANIC SIDE (INSIDE)
ACTIVE STILE

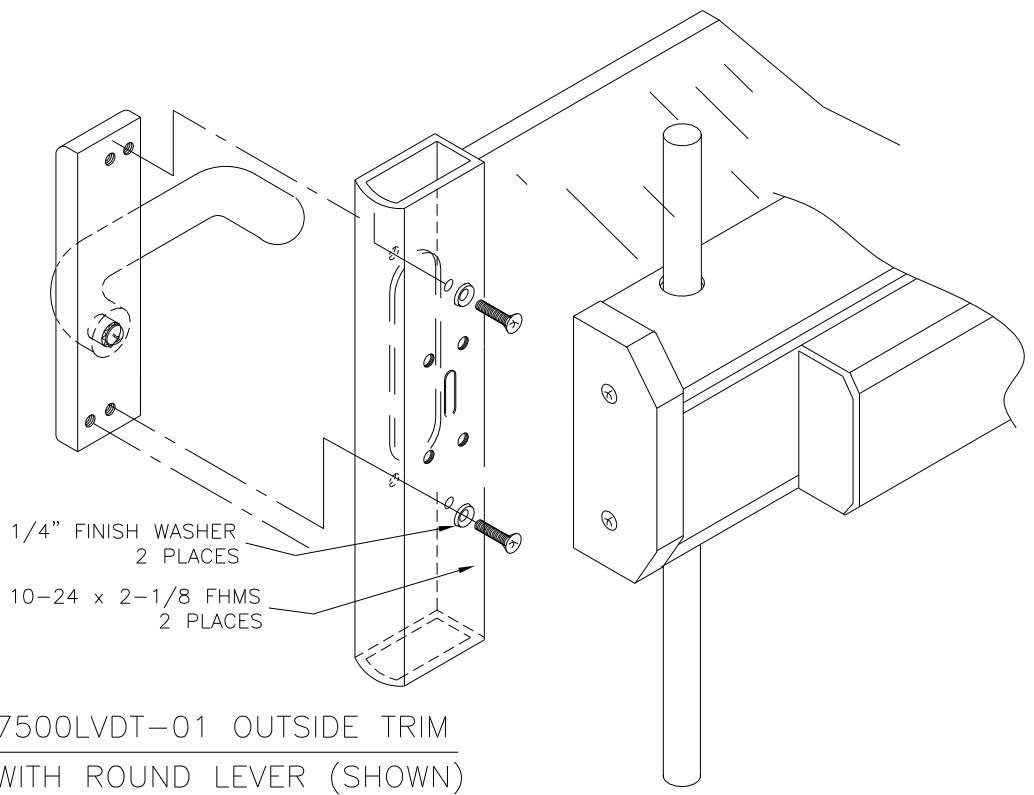
TRIM SIDE (OUTSIDE)
ACTIVE STILE

7500LV-02 OUTSIDE TRIM (SHOWN)
WITH FLAT LEVER

DIMENSIONAL TOLERANCES UNLESS OTHERWISE SPECIFIED		APPROVALS	DATE
DECIMAL DIMENSIONS .XX ± .010		APPROVED	
DECIMAL DIMENSIONS .XXX ± .005		CHECKED	
ANGULAR ± ° FRACTIONAL ± 1/64		DRAWN	R.M. 03/05/01
MATERIAL		SCALE	NONE

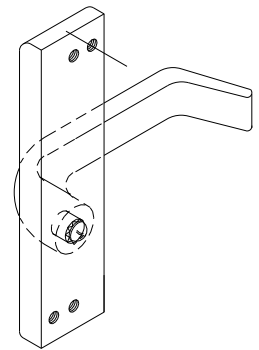
Jackson
CORPORATION
3447 UNION PACIFIC AVE.
LOS ANGELES, CALIF. 90023

NEXT ASSY.	FINISH	7500LV-01/02 SER. INST. GUIDE	SHEET 1 OF 1 SHEETS	
QTY. USED	HEAT TREAT		DWG. NO. 10-1090	REV. A



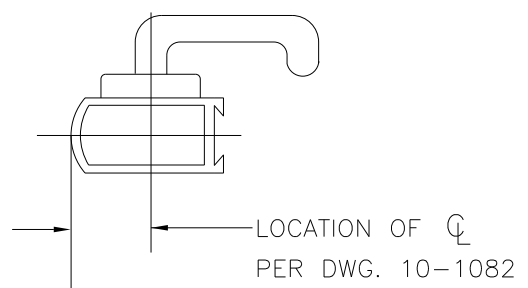
1/4" FINISH WASHER
2 PLACES
10-24 x 2-1/8 FHMS
2 PLACES

7500LVDT-01 OUTSIDE TRIM
WITH ROUND LEVER (SHOWN)



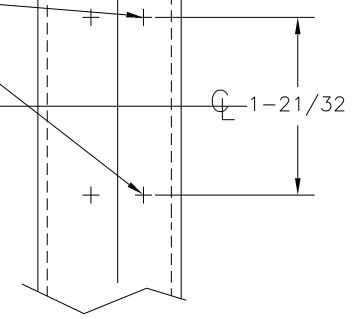
7500LVDT-02 OUTSIDE TRIM (SHOWN)
WITH FLAT LEVER

← 1275 PANIC

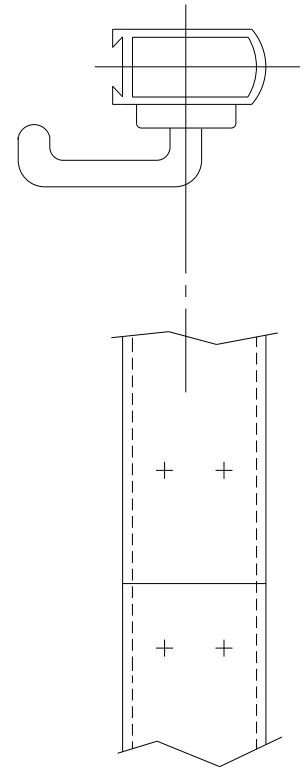


MTG. POINTS 1275 PANIC
AND 7500LV TRIM
SEE DWG. 10-1082 FOR
COMPLETE INSTALLATION
OF 1275 PANIC

40" FROM BTM
OF DOOR



PANIC SIDE (INSIDE)
ACTIVE STILE



TRIM SIDE (OUTSIDE)
ACTIVE STILE

DIMENSIONAL TOLERANCES UNLESS OTHERWISE SPECIFIED		APPROVALS	DATE
DECIMAL DIMENSIONS .XX	± .010	APPROVED	
DECIMAL DIMENSIONS .XXX	± .005	CHECKED	
ANGULAR ± °	FRACTIONAL ± 1/64	DRAWN	R.M. 5.12.03
MATERIAL		SCALE NONE	

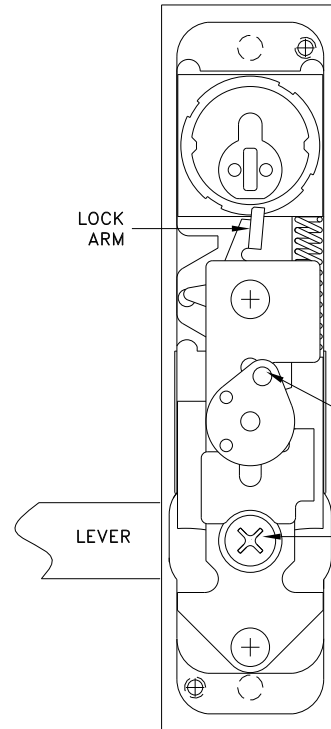
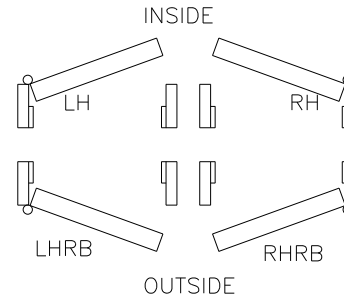
Jackson
CORPORATION
3447 UNION PACIFIC AVE.
LOS ANGELES, CALIF. 90023

NEXT ASSY.	FINISH
QTY. USED	HEAT TREAT

7500LVDT-01/02 SER. INST.
GUIDE

SHEET 1 OF 1 SHEETS	
DWG. NO.	REV.
10-1121	A

1285,2085,2086 LEVER TRIM



RECOMMENDED CYLINDERS AND CAMS

CYLINDER	CAM
YALE	1161-L
CORBIN	MS-4800
RUSSWIN	MS-4600
SCHLAGE	B 502-292
ILCO	4002-2R LOCKWOOD
SARGENT	47-40-101
ADAMS RITE	MS-1850

LEVER SHOWN (RHRB)

IF NECESSARY ROTATE THIS COMPONENT ANTI-CLOCKWISE TO THE POSITION SHOWN BEFORE INSTALLATION

TO CHANGE THE HAND OF THE TRIM REMOVE THIS SCREW AND REVERSE LEVER

ENSURE THAT THE CYLINDER AND CAM OPERATE THE LOCK ARM PRIOR TO INSTALLATION

DIMENSIONAL TOLERANCES UNLESS OTHERWISE SPECIFIED	
DECIMAL DIMENSIONS .XX	± .010
DECIMAL DIMENSIONS .XXX	± .005
ANGULAR ± °	FRACTIONAL ± 1/64

APPROVALS	DATE
APPROVED	
CHECKED	
DRAWN	R.M., 05/11/00



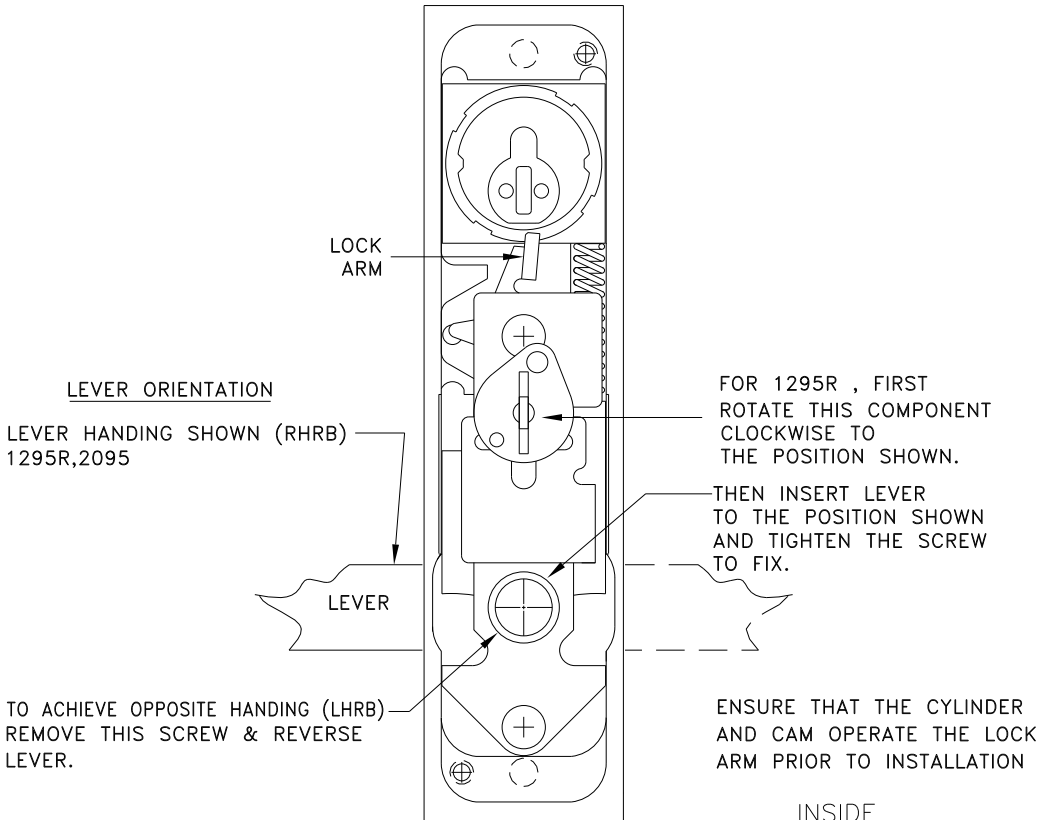
3447 UNION PACIFIC AVE.
LOS ANGELES, CALIF. 90023

FILE NO.	MATERIAL
NEXT ASSY.	FINISH
QTY. USED	HEAT TREAT

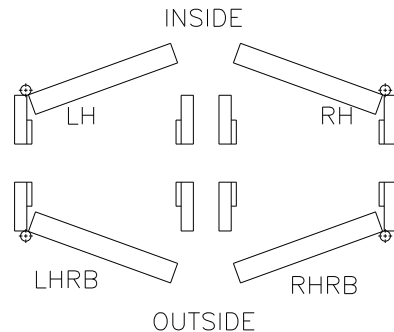
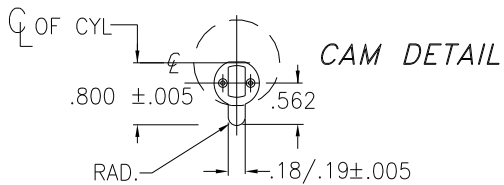
SCALE	FULL
OUTSIDE TRIM HANDING SELECTION GUIDE 1285,2085,2086	

SHEET 1 OF 1 SHEETS	
DWG. NO.	REV.
10-990	A

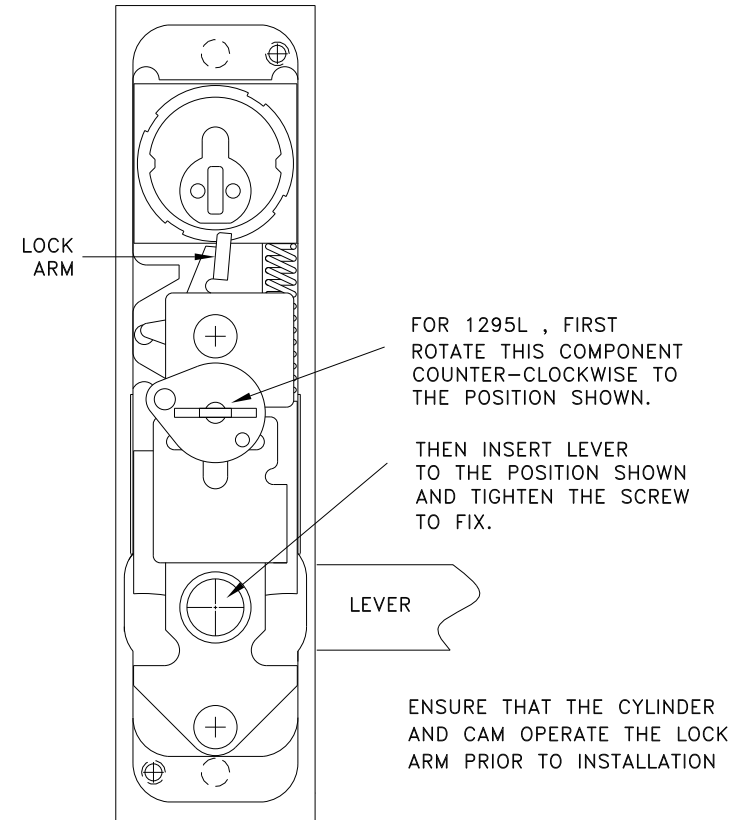
LEVER TRIM FOR 1295R AND 2095



REQUIRED CYLINDER
1" MORTISE WITH CAM PROFILE AS SHOWN BELOW.



LEVER TRIM FOR 1295L AND 2095



B 06/26/01 REVISE ENTIRE HANDING INSTRUCTIONS		ECN1502	RM
DIMENSIONAL TOLERANCES UNLESS OTHERWISE SPECIFIED		APPROVALS	DATE
DECIMAL DIMENSIONS .XX ± .010		APPROVED	
DECIMAL DIMENSIONS .XXX ± .005		CHECKED	
ANGULAR ± ° FRACTIONAL ± 1/64		DRAWN	R.M. 06/01/00
FILE NO.	MATERIAL	SCALE	FULL
NEXT ASSY.	FINISH	OUTSIDE TRIM HANDING SELECTION GUIDE	
QTY. USED	HEAT TREAT	1295,2095	
		SHEET 1 OF 1 SHEETS	
		DWG. NO. 10-994	
		REV. B	



3447 UNION PACIFIC AVE.
LOS ANGELES, CALIF. 90023