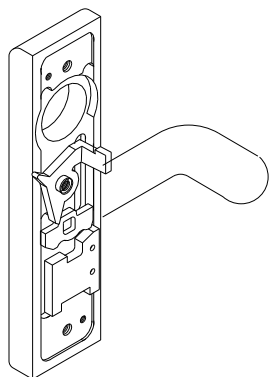


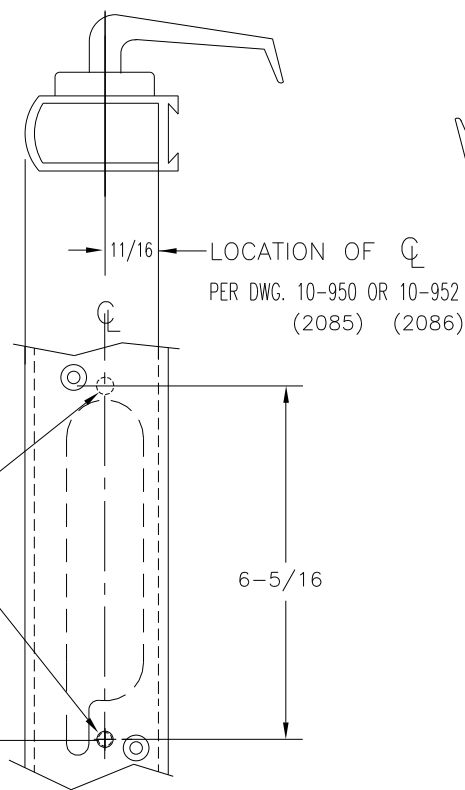
1/4-20 x 2-1/8 SHOULDER BOLT 2 PLACES

8500LV-01 OUTSIDE TRIM WITH ROUND LEVER



8500LV-02 OUTSIDE TRIM WITH FLAT LEVER

2085/2086 PANIC



LOCATION OF ϕ PER DWG. 10-950 OR 10-952 (2085) (2086)

REF. 10-987 FOR CUT-OUT DETAIL

MTG. HOLES 2085/2086 PANIC AND 8520LV TRIM SEE DWG. 10-950 OR 10-952 FOR COMPLETE INSTALLATION OF 2085/2086 PANIC

35" FROM BTM OF DOOR

PANIC SIDE (INSIDE) ACTIVE STILE

TRIM SIDE (OUTSIDE) ACTIVE STILE

C 7/11/03 REVISE STILE PREP (CUT-OUT)		ECN1684	RM
DIMENSIONAL TOLERANCES UNLESS OTHERWISE SPECIFIED		APPROVALS	DATE
DECIMAL DIMENSIONS .XX	± .010	APPROVED	
DECIMAL DIMENSIONS .XXX	± .005	CHECKED	
ANGULAR ± °	FRACTIONAL ± 1/64	DRAWN	R.M. 05/24/01
MATERIAL		SCALE	NONE
NEXT ASSY.	FINISH	INSTALLATION GUIDE	
QTY. USED	HEAT TREAT	8500LV-XX	
		2085/2086	
		SHEET 1 OF 1 SHEETS	REV.
		DWG. NO. 10-1032	C



3447 UNION PACIFIC AVE. LOS ANGELES, CALIF. 90023