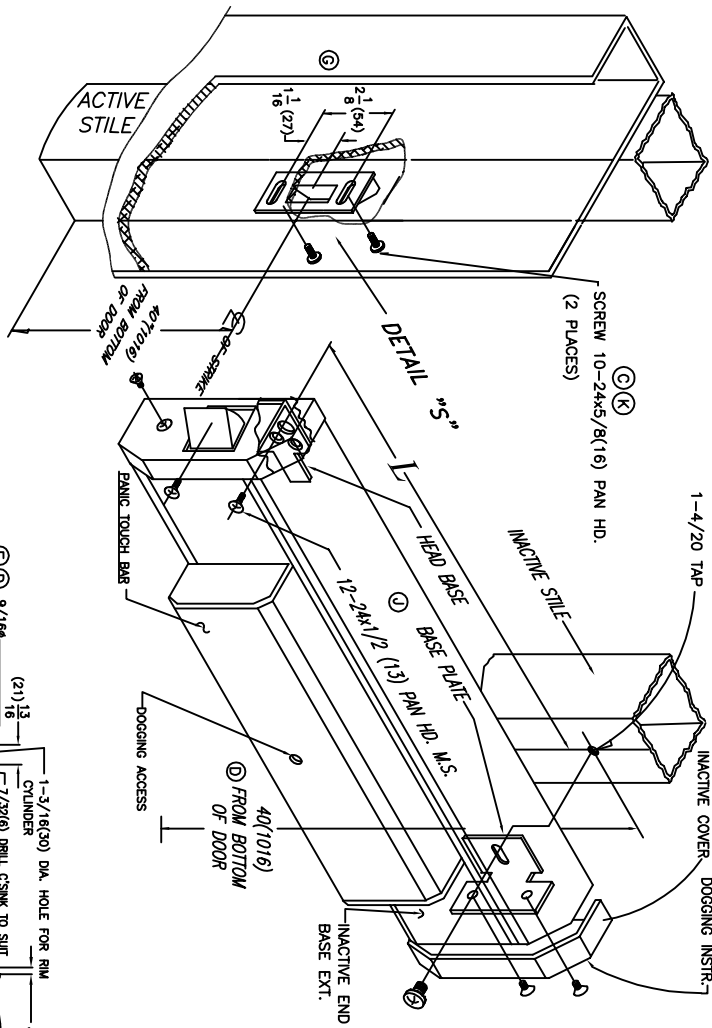


NOTE: ④ THIS PRODUCT IS DESIGNED AND MFRG. TO MEET CLASSIFICATION NO. 37601322B, EN1125 STANDARD.

④ THE SAFETY FEATURES OF THIS PRODUCT ARE ESSENTIAL TO IT'S COMPLIANCE WITH EN 1125. NO MODIFICATION OF ANY KIND, OTHER THAN THOSE DESCRIBED IN THESE INSTRUCTIONS, ARE PERMITTED.

④ RECOMMENDATIONS FOR MAINTENANCE:
IT IS RECOMMENDED THAT THE FOLLOWING ROUTINE MAINTENANCE CHECKS SHOULD BE TAKEN AT INTERVALS OF NOT MORE THAN ONE MONTH BY THE OCCUPIER OR HIS APPROVED REPRESENTATIVE:
A) INSPECT AND OPERATE THE PANIC DEVICE TO ENSURE THAT ALL COMPONENTS ARE IN A SATISFACTORY WORKING CONDITION;
B) ENSURE THAT THE KEEPER(S) IS (ARE) FREE FROM OBSTRUCTION.



FUNCTIONAL CYLINDERS	A	DOOR OPENING	L
ILCO LOCKWOOD	1/4"	36"(914)	33"(838)
CHEN SCHLAGE	(6)	48"(1219)	45"(1143)
RUSSWIN WELCH			
KEIL			
SARGENT	3/8"		10"

MODEL 1295

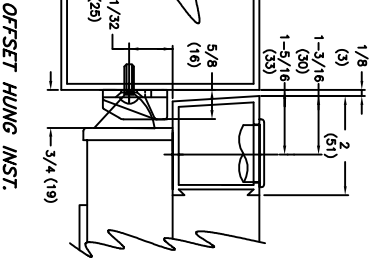
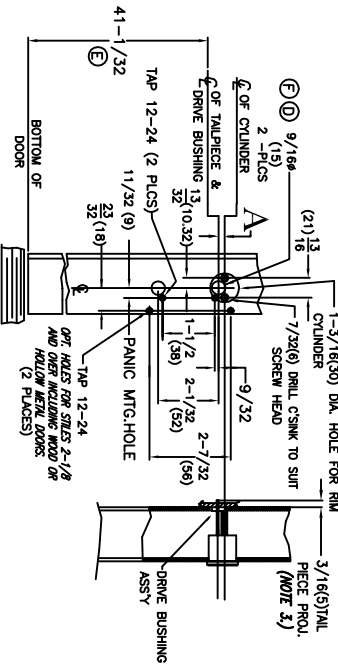
- PREPARE LOCK STILE PER TEMPLATE NO. 10-935 DRILL CYLINDER MOUNTING HOLES IF REQUIRED.
- LOCATE CENTERLINE OF CYLINDER ON EXTERIOR OF DOOR AND DRILL IF REQUIRED.
- TRIM TAIL PIECE TO FIT INTO PANIC DRIVE BUSHING ASSEMBLY.
- MOUNT CYLINDER AND SECURE WITH MOUNTING SCREWS (SUPPLIED BY LOCK MFG.) IF TRIM IS REQ'D. PREP. PER 10-997
- LOCATE MOUNTING HOLE ON INACTIVE STILE DRILL & TAP 1/4-20 THDS. 40°(1016) FROM BTM. OF DOOR.
- PANIC ATTACHMENT
- REMOVE FRONT AND REAR END BASE COVERS BY RELEASING 6-32 x 3/16(S) FLAT HD. SCREWS. SECURE ACTIVE END OF PANIC BY INSTALLING 2 EACH 12-24x1/2 (13) PAN HD.M.S. SECURE INACTIVE END WITH SINGLE 1/4-20x1/2(13) ROUND HD. M.S. (PHL.) WITH SEPS THROUGH INACTIVE BASE PLATE. PROCEED BY RE-INSTALLING BASE COVERS ON EACH END OF PANIC BASE.
- TO INSTALL STRIKE LOCATE 10-24 TAPS ON ACTIVE STILE (2 PLACES).
- MOUNT AND SECURE STRIKE. (REF. DETAIL 'S')
- CHECK OPERATION OF ALL PARTS INCLUDING CYLINDER IF BEING USED TO ASSURE PROPER OPERATION.

DOGGING INSTRUCTIONS:

TO DOG-INSERT HEX KEY TURN CLOCKWISE UNTIL IT STOPS. FULLY DEPRESS TOUCH BAR THEN RELEASE.
TO UNDOG-INSERT HEX KEY TURN CLOCKWISE UNTIL IT STOPS. TOUCH BAR WILL RELEASE.

MOUNTING INSTRUCTIONS:

- PREPARE LOCK STILE PER TEMPLATE NO. 10-935 DRILL CYLINDER MOUNTING HOLES IF REQUIRED.
- LOCATE CENTERLINE OF CYLINDER ON EXTERIOR OF DOOR AND DRILL IF REQUIRED.
- TRIM TAIL PIECE TO FIT INTO PANIC DRIVE BUSHING ASSEMBLY.
- MOUNT CYLINDER AND SECURE WITH MOUNTING SCREWS (SUPPLIED BY LOCK MFG.) IF TRIM IS REQ'D. PREP. PER 10-997
- LOCATE MOUNTING HOLE ON INACTIVE STILE DRILL & TAP 1/4-20 THDS. 40°(1016) FROM BTM. OF DOOR.
- PANIC ATTACHMENT
- REMOVE FRONT AND REAR END BASE COVERS BY RELEASING 6-32 x 3/16(S) FLAT HD. SCREWS. SECURE ACTIVE END OF PANIC BY INSTALLING 2 EACH 12-24x1/2 (13) PAN HD.M.S. SECURE INACTIVE END WITH SINGLE 1/4-20x1/2(13) ROUND HD. M.S. (PHL.) WITH SEPS THROUGH INACTIVE BASE PLATE. PROCEED BY RE-INSTALLING BASE COVERS ON EACH END OF PANIC BASE.
- TO INSTALL STRIKE LOCATE 10-24 TAPS ON ACTIVE STILE (2 PLACES).
- MOUNT AND SECURE STRIKE. (REF. DETAIL 'S')
- CHECK OPERATION OF ALL PARTS INCLUDING CYLINDER IF BEING USED TO ASSURE PROPER OPERATION.



FILE NO.	10-936	FINISH	NONE	HEAT TREAT	
NEXT ASSY.	1295-KITS				
QTY. USED	1				

K 1.19.08	PAN HEAD WAS OVAL	ECN1999	RM
L 1.24.06	12-24 PAN HD WAS FLAT	ECN1981	RM
H 3.26.05	ADD EN1125 SPECIFICATIONS (STANDARDS)	ECN1941	RM
G 6.25.03	2-1/8 WAS 1-13/16	ECN1625	RM
F 06/21/01	ADD 41-1/32 9/16 WAS 19/32ø DIM	ECN1502	RM
E 06/21/01	ADD 41-1/32 DIM	ECN1501	RM
D 05/31/00	40° WAS 37 ADD 2nd 19/32" HOLE	ECN1377	RM
C 04/17/00	12-24 CALLOUT WAS 10-32	ECN1366	RM
B 7/7/99	12-24 TAP WAS 8-32	ECN1267	RM

DIMENSIONAL TOLERANCES UNLESS OTHERWISE SPECIFIED	APPROVALS	DATE
DECIMAL DIMENSIONS .XX ± 0.10	CHECKED	
ANGULAR ± 0 FRACTIONAL ± 1/64	DRAWN	5/5/99
MATERIAL	SCALE	NONE
FINISH	INSTALLATION GUIDE	
HEAT TREAT	1295 RIM DEVICE "C" TYPE STRIKE	

SHEET 1 OF 1 SHEETS	DWG. NO.	10-936
REV.		K



