

ARCHITECTURAL METALS

- 05 - METALS
- 07 - THERMAL AND MOISTURE PROTECTION
- 08 - OPENINGS
- 10 - SPECIALTIES



- EPS100 STANDARD PERFORATED PANEL SYSTEM
- DPS200 DELUXE PERFORATED PANEL SYSTEM
- PPS300 PREMIER PERFORATED PANEL SYSTEM
- EWS100 STANDARD WET SEAL PANEL SYSTEM
- PDS400C PREMIER DRY SEAL PANEL SYSTEM
- CUSTOM ALUMINUM TRUSS
- GLAZING PATCH FITTINGS
- SPIDER FITTINGS
- ALUMINUM SUNSHADES
- SERIES 3600 SUNSHADE
- SERIES 3150 AND 3250 CURTAIN WALLS



C.R. LAURENCE COMPANY

Worldwide Manufacturer and Supplier

Glazing, Architectural, Railing, Screen, Construction, Industrial, and Automotive Supplies

crlaurence.com

usalum.com

crl-arch.com



EPS100 STANDARD PERFORATED PANEL SYSTEM

- A Cost-Efficient and Attractive Building Addition
- Standard Panels Provide Faster Turnaround Times on Manufacturing
- Custom Patterns and Perforation Diameters Can Be Designed to Suit Your Needs
- Available Finishes Include: Brushed Stainless, Polished Stainless, Non-Directional, and Custom Paint

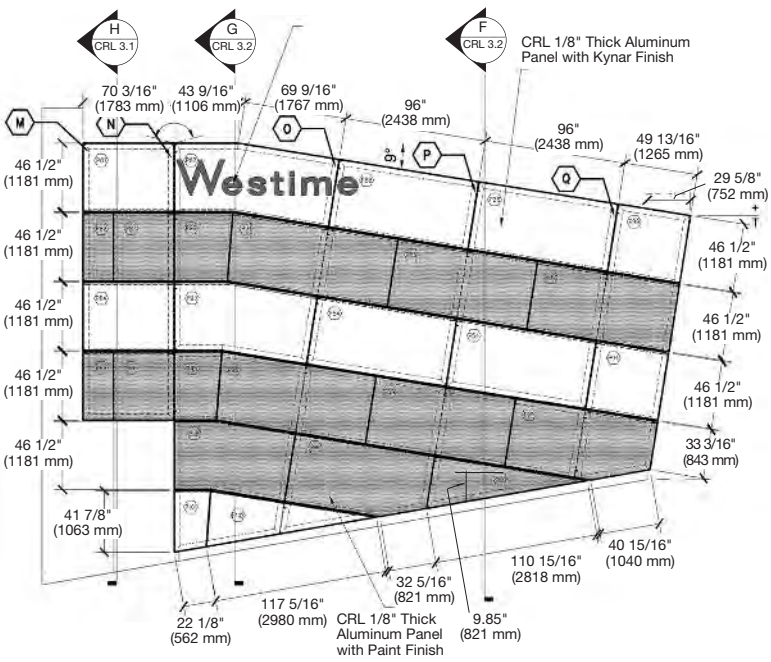
PROJECT: Westime
ARCHITECT: Wick Architecture and Design
CONTRACTOR: DeForest Construction Inc.
LOCATION: West Hollywood, California



When Westime, a distinguished Southern California boutique specializing in extraordinary watches, wanted to create a new landmark location on the Sunset Strip in West Hollywood, the architect David Wick of Wick Architecture and Design turned to CRL for aluminum panels.

CRL designed, engineered, and fabricated aluminum panels to cover the existing traditional façades in a variety of shapes and sizes. The panels house integrated recessed signage and at nighttime, the interior lighting reveals a system of perforated gradient panels designed to focus attention towards the showroom.

CRL's Standard Perforated Panel System (EPS100) is brilliantly designed to reveal the interior of the store to the street, while at the same time acting as a sunshade to reduce interior heat. Strategically placed panels can give an older building a newer, more modern look, while at the same time serving to increase the efficiency of cooling systems.





DPS200 DELUXE PERFORATED PANEL SYSTEM

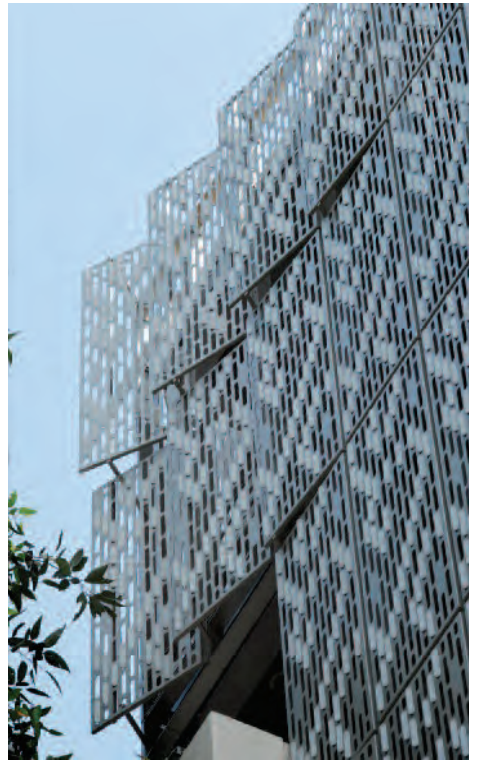
- Series DPS200C Deluxe Perforated Panel System With Aluminum Substructure Framing
- Custom Fabricated Vertical Sunshade System

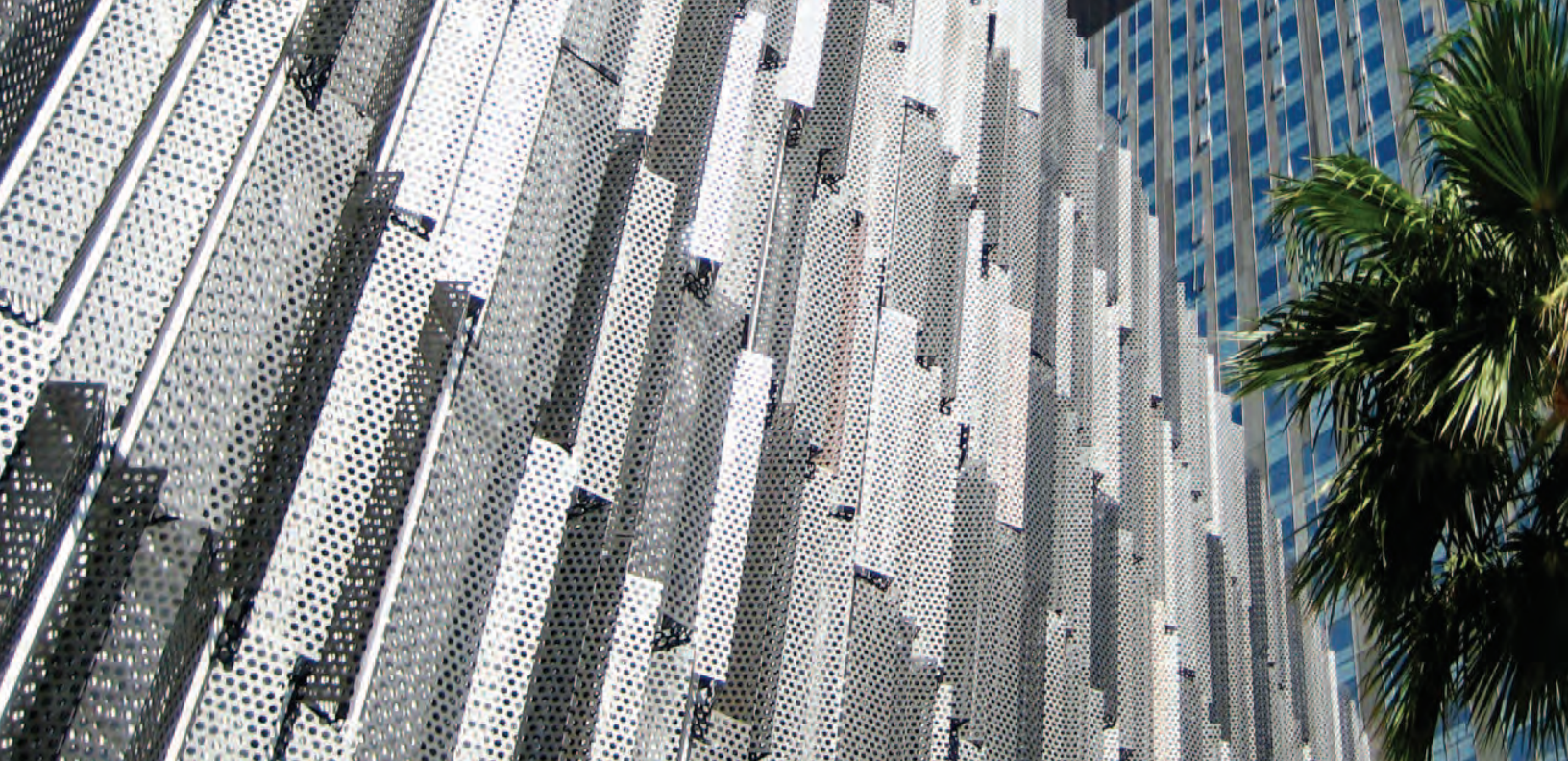
PROJECT: 28th Street Apartments
ARCHITECT: Koning Eizenberg Architecture
CONTRACTOR: Alpha Construction w / Spectra Company
LOCATION: Los Angeles, California



In 1926, the 28th Street YMCA in Los Angeles opened a sparkling recreational facility with an indoor pool and affordable accommodations for young men who were migrating from other regions. This four-story concrete building became a city, state, and national landmark, but by 2009, when the nonprofit developer Clifford Beers Housing (CBH) acquired the property, it was in serious need of repair. Santa Monica based Koning Eizenberg Architecture (KEA) was hired to revive the structure and create quality permanent housing, simply called 28th Street Apartments.

KEA turned to CRL's Deluxe Perforated Panel System (DPS200) and a custom CRL Vertical Aluminum Sunshade System that shades and visually dramatizes a new wing that was added to the existing structure. The perforated pattern adds privacy, reduces interior heat, and abstracts from the main entrance's 1920's era bas-reliefs. The project is on track for LEED Gold Certification.





DPS200 DELUXE PERFORATED PANEL SYSTEM

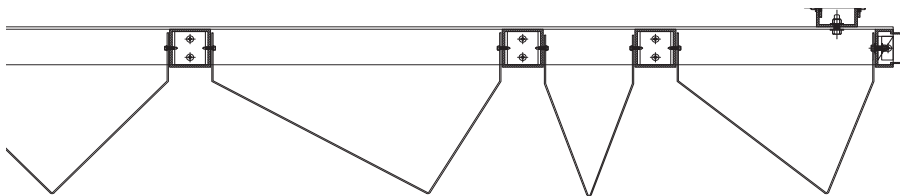
- Seven Different Types of Panels in a Variety of Shapes and Sizes
- Set at Varying Angles to Create a Constantly Changing Appearance
- Perforated Aluminum Panels Allow Light and Ventilation

PROJECT: CityCenter Parking Garage
ARCHITECT: Kohn Pedersen Fox Associates
CONTRACTOR: Giroux Glass, Inc.
LOCATION: Las Vegas, Nevada

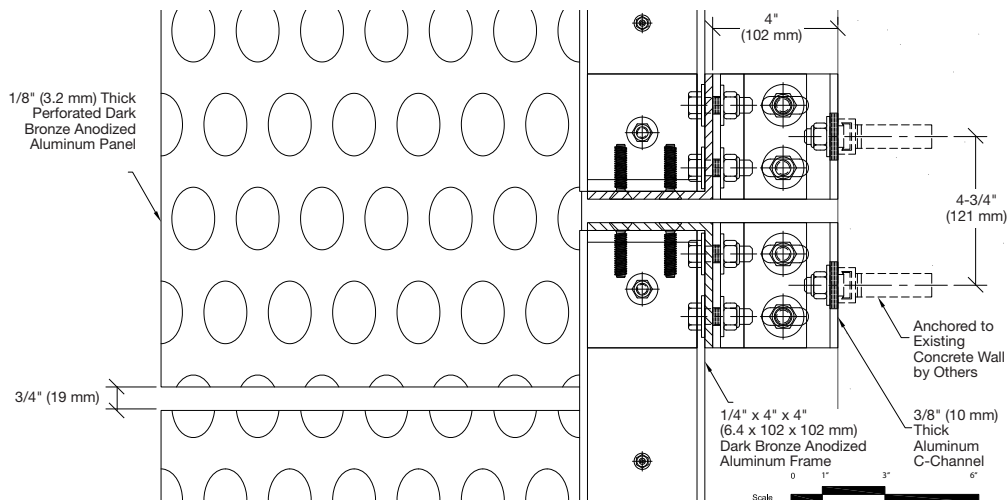
Working with architect Kohn Pedersen Fox Associates, AAI Architects, Inc., and builder Perini Building Company, CRL designed, engineered, and fabricated seven different types of panels in a variety of shapes and sizes. Giroux Glass of Los Angeles and Las Vegas installed the Panel System. Finished in a dark bronze anodized finish, the panels are set at different angles, creating a brilliant effect as the sun moves across the sky and reflects off the various textures and surfaces.

The panels are part of CRL's Deluxe Perforated Panel System (DPS200), which is easy and time saving to install. Using CRL's aluminum substructure framing and connection details, factory installed anchors and keyhole slots eliminate the need to fasten screws in the field. The structurally sound connections are designed for field adjustments, resulting in labor cost savings.

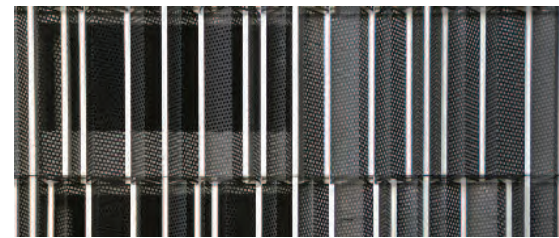
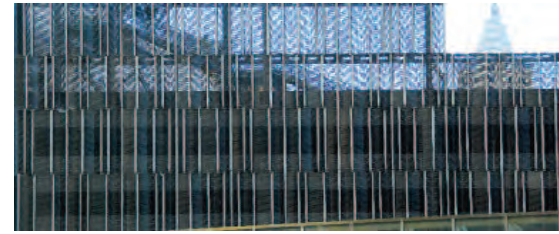
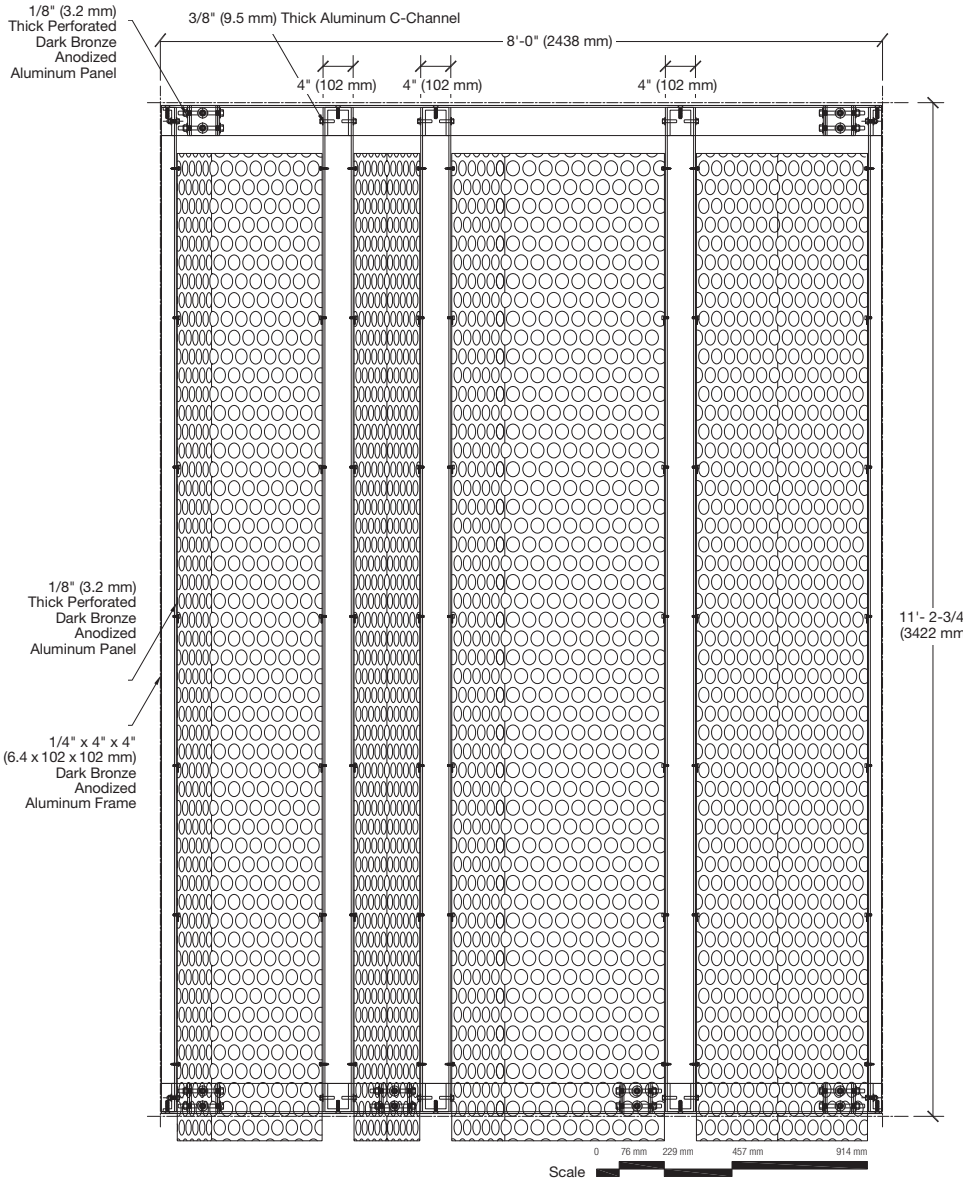
TYPICAL PLAN DETAIL



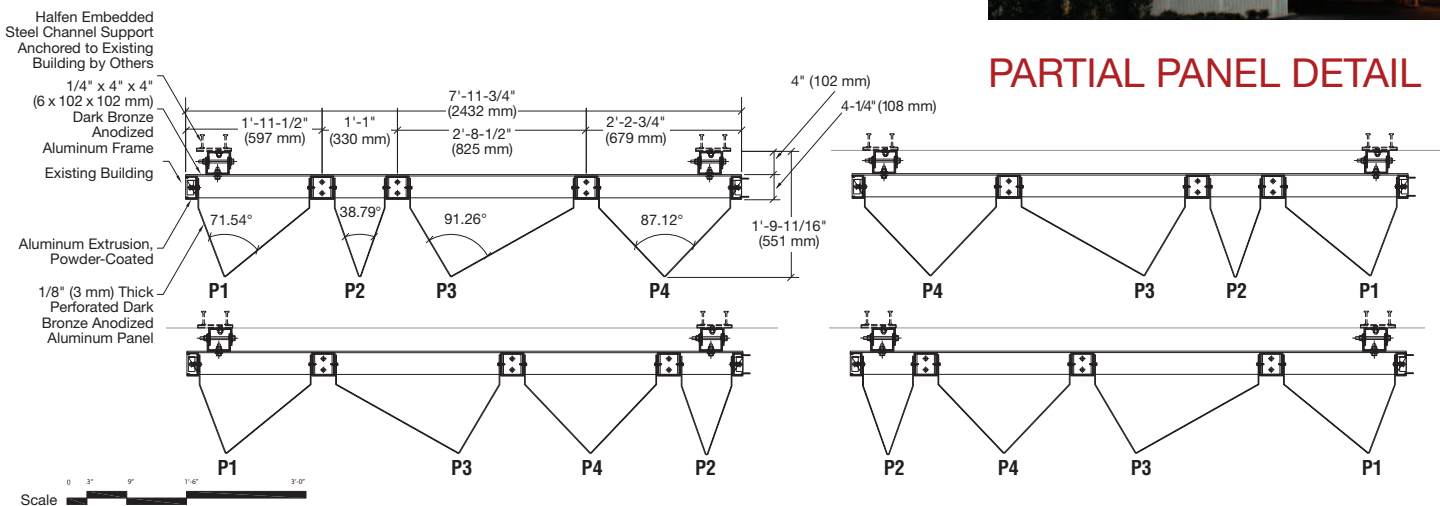
TYPICAL DETAIL AT FRAME/PANEL SUPPORT



PANEL ASSEMBLY



PARTIAL PANEL DETAIL





PPS300 PREMIER PERFORATED PANEL SYSTEM

- Panel System Clad in Five Different Perforated Patterns
- Operable Doors to Adjust Privacy and Shade
- Achieved Platinum LEED® Rating

PROJECT: The Lofts at Cherokee Studios
ARCHITECT: Pugh+Scarpa Architecture
CONTRACTOR: JT Builders
LOCATION: Los Angeles, California

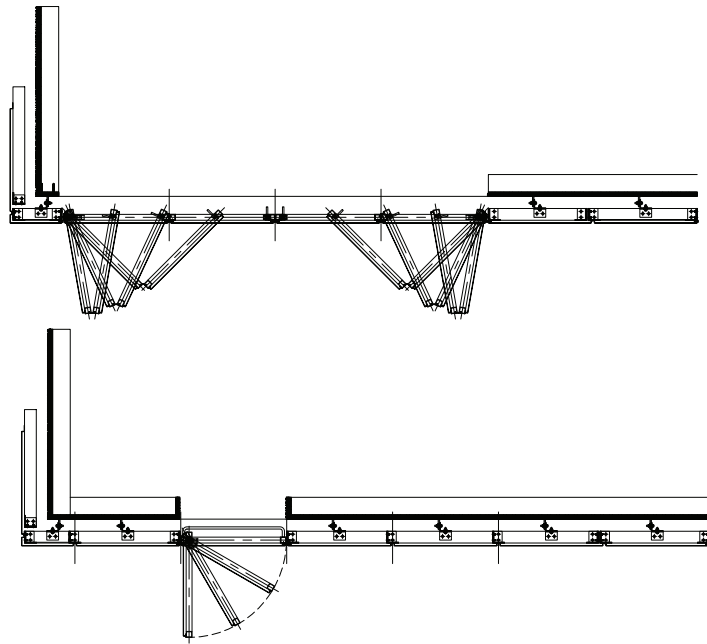


The Lofts at Cherokee Studios is a 12 unit residential building in the Fairfax District of Los Angeles. CRL worked with Santa Monica based Architects Pugh+Scarpa, and General Contractor JT Builders to develop a custom Perforated Aluminum Panel and Structural Support System which shades the building and allows residents to customize their private balconies with a series of bi-folding and swinging doors.

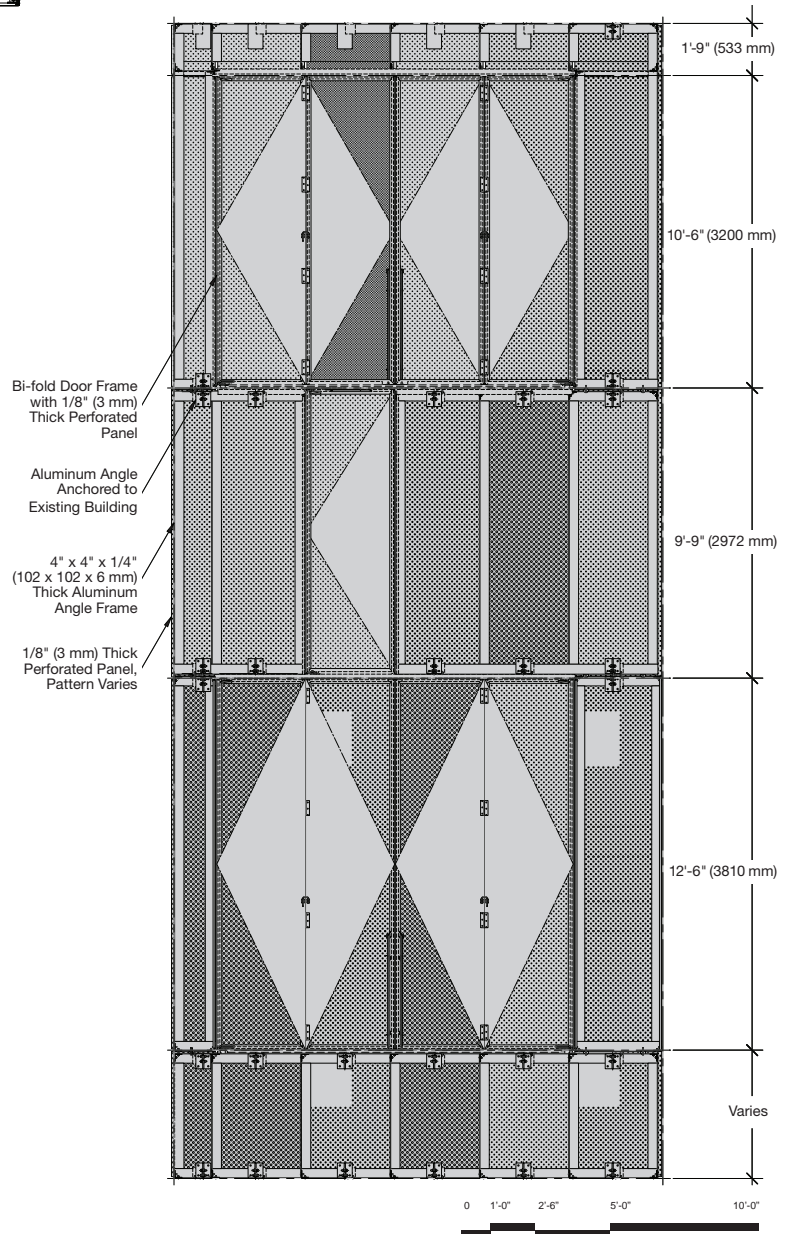
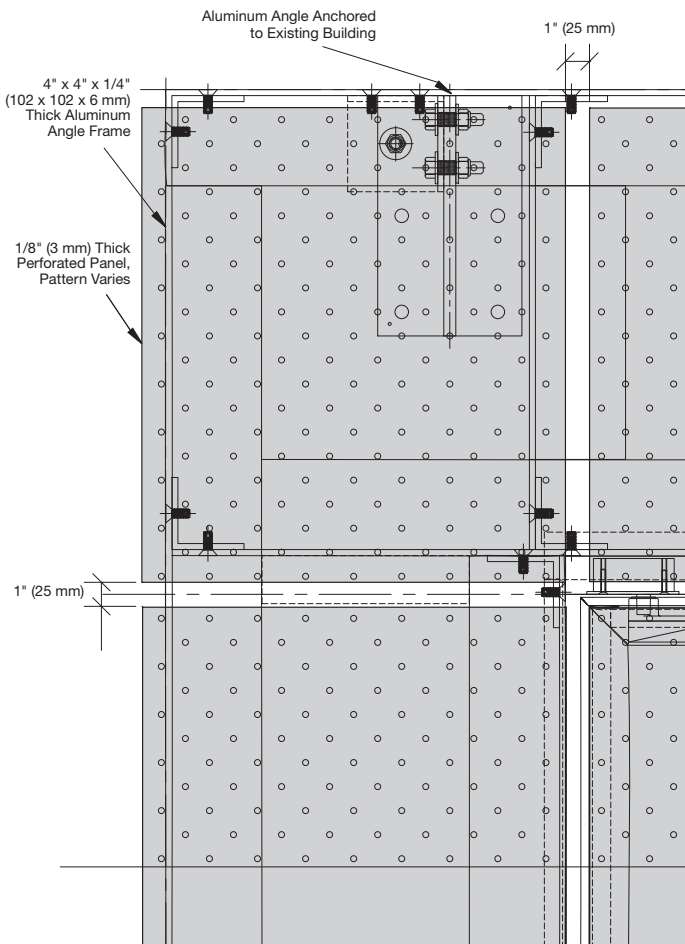
Clad in five different perforated patterns, the Panel System activates the four building façades as residents open and close operable doors to adjust privacy and shade. The Panel System also works as a passive cooling device, which helped the building achieve the first Platinum LEED® rating for a mixed-use, multi-family development on the west coast.



PARTIAL FOURTH FLOOR PLAN



PARTIAL THIRD FLOOR PLAN





EWS100 STANDARD WET SEAL PANEL SYSTEM

- Fully Framed Panels for Added Strength
- Individual Panels are Easily Installed and Aligned
- Variety of Materials and Finishes Available With Short Lead Times

PROJECT: Hard Rock Hotel & Casino Las Vegas Expansion
ARCHITECT: Klai Juba Architects
CONTRACTOR: Enclos Corp.
LOCATION: Las Vegas, Nevada



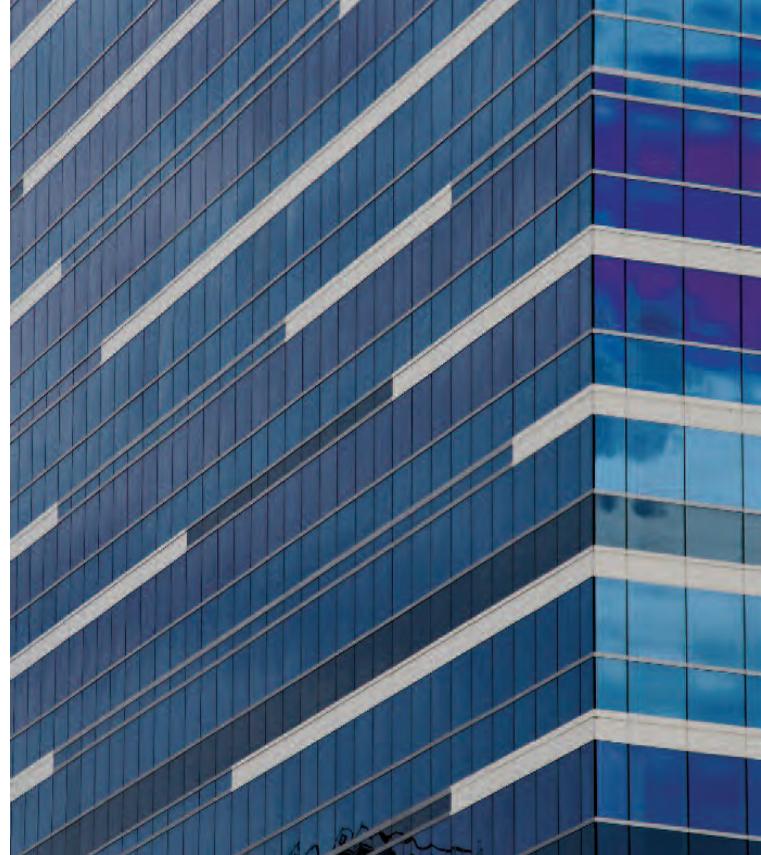
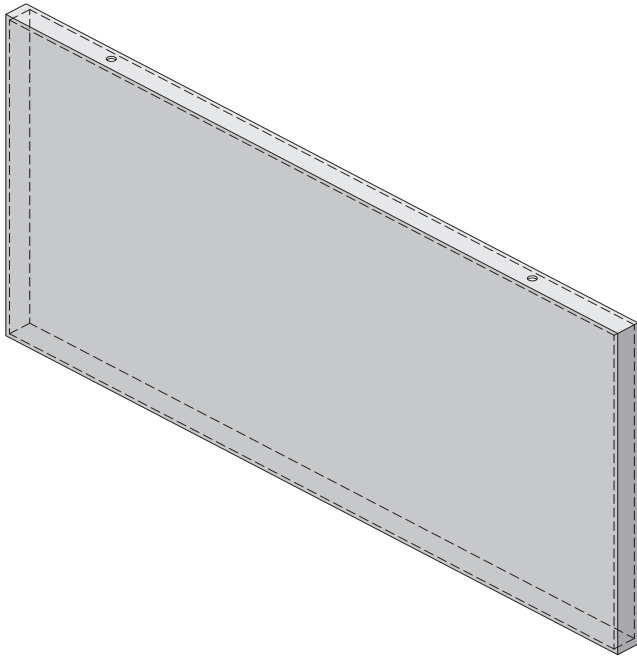
The Wet Seal Panel System used at the expansion to the Hard Rock Hotel and Casino in Las Vegas incorporates CRL's fire resistant aluminum composite panels.

Working with Enclos Corp., CRL created 3D models of each panel to assure proper fabrication according to as-built dimensions provided at several stages during construction of the outer building envelope.

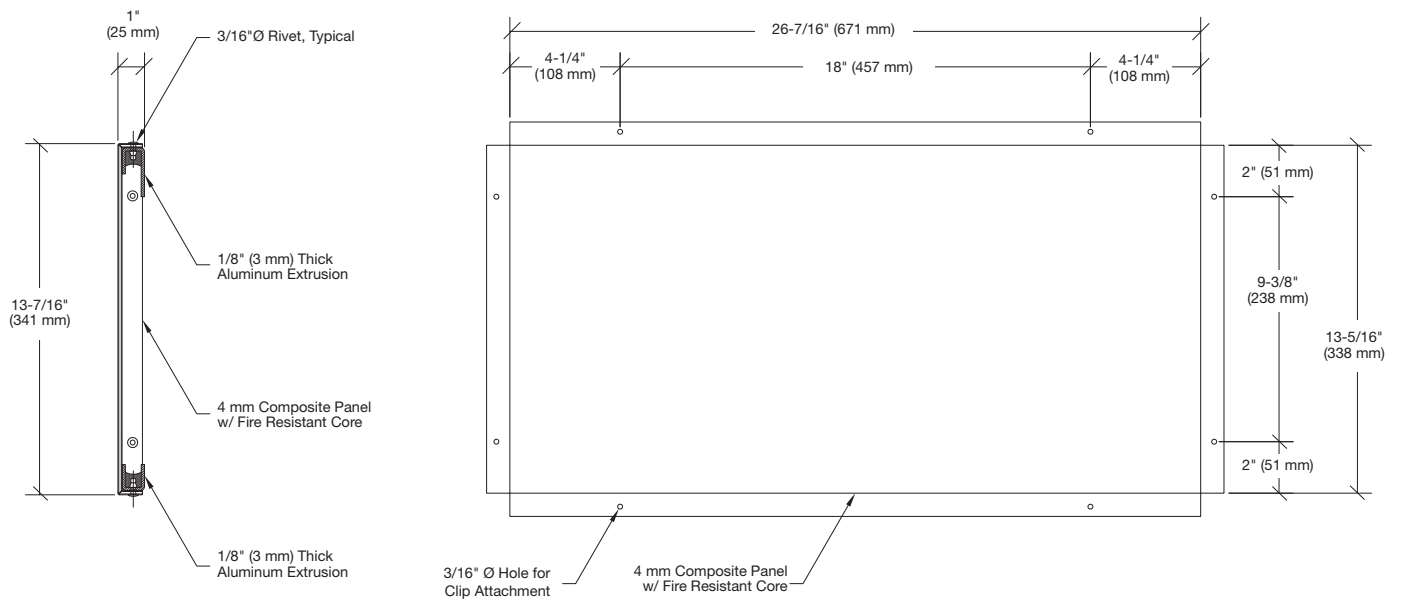
CRL also coordinated partial fabrication and delivery at set stages in order to meet the fast-paced construction schedule set by the general contractor.



AXONOMETRIC VIEW



PARTIAL THIRD FLOOR PLAN





PDS400C PREMIER DRY SEAL PANEL SYSTEM

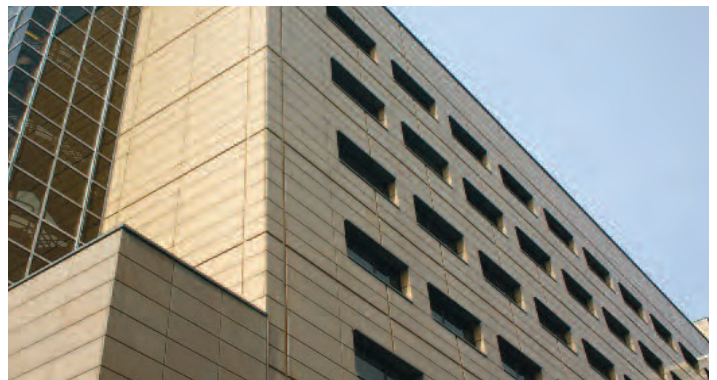
- Fully Framed Panels for Added Strength
- Pressure Equalized Dry Joint Seal System
- Variety of Materials and Finishes Available With Short Lead Times

PROJECT: University of Washington
ARCHITECT: Zimmer Gunsul Frasca Architects
CONTRACTOR: Bailey Construction
LOCATION: Seattle, Washington



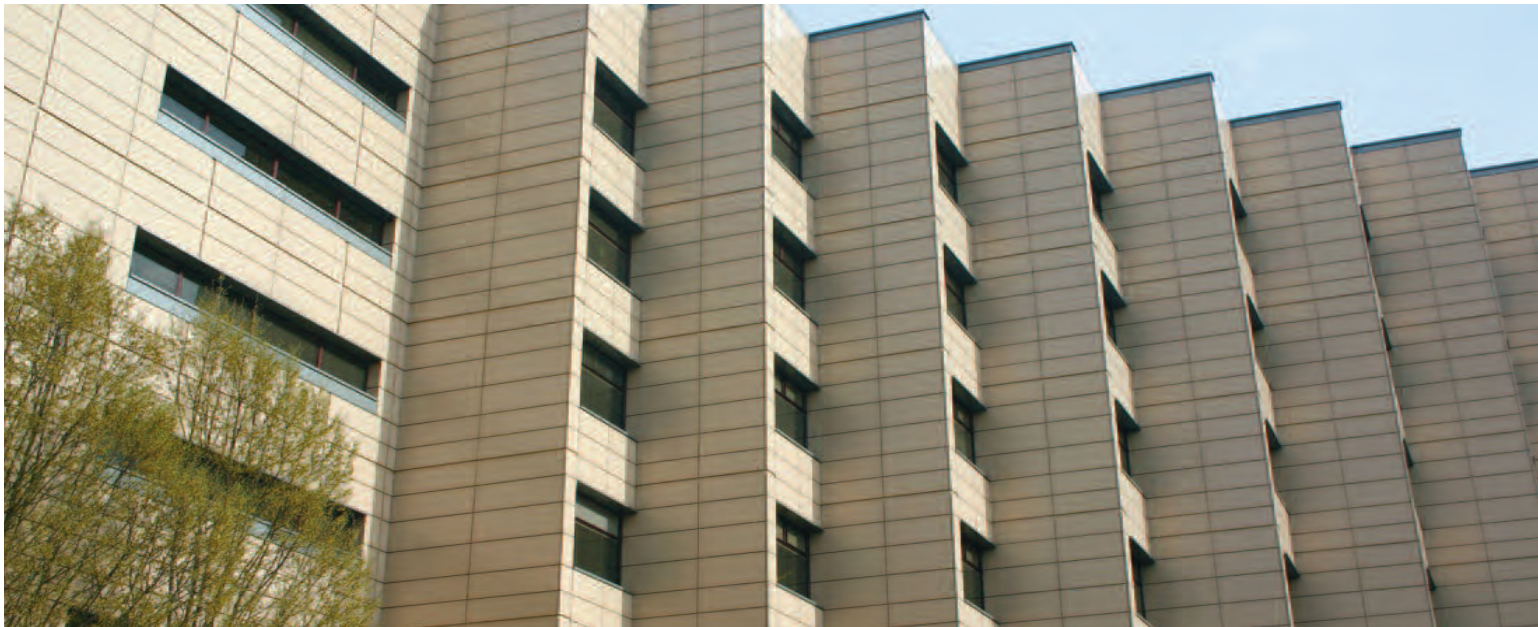
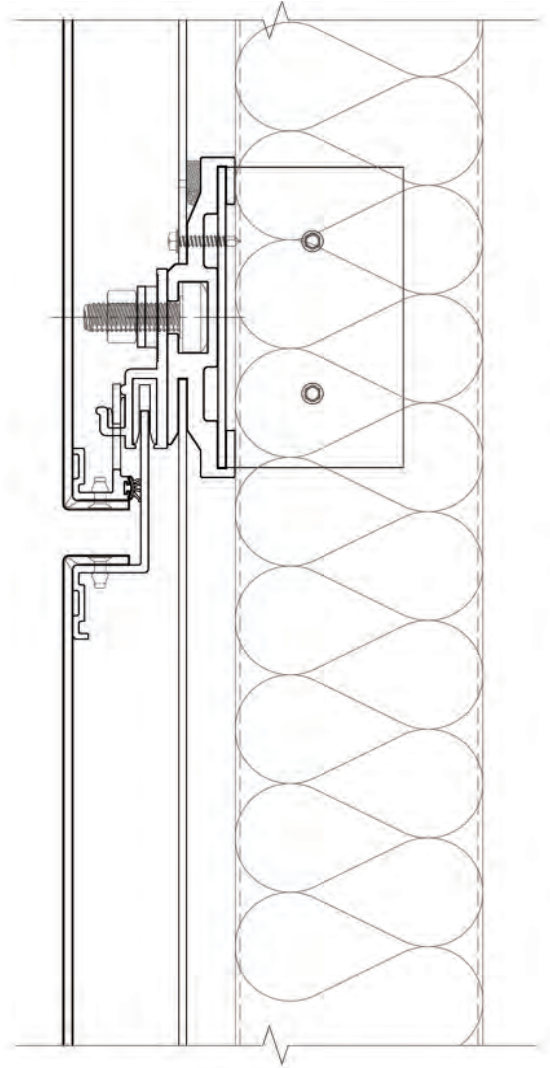
CRL'S 400 Series Premier Dry Seal Panel System is a pressure equalized dry joint system which allows for expansion and contraction of the panels through the seasons' changing climates, while not affecting the system's performance.

This project was coordinated by CRL and the local contractor, Bailey Construction, to provide components that were ready for installation upon delivery. CRL engineers will work with architects and contractors to assure that projects can be fabricated to specifications required to meet local codes and the demands for timely delivery. You are invited to contact the CRL Architectural Metals Division through our web site, crlaurence.com. Click on Contact Us, and then click on Technical Sales for Architectural Metals Products.



PREMIER DRY SEAL WALL PANEL SYSTEM FOR COMPOSITE MATERIALS

TWO PANEL DRY SEAL WALL SYSTEM





CUSTOM ALUMINUM TRUSS

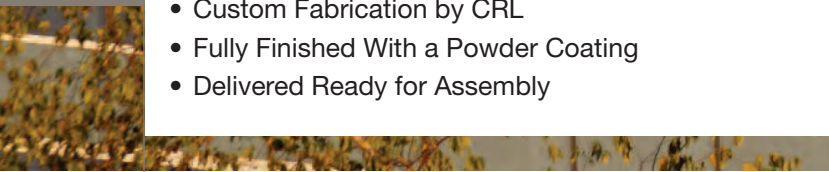
- Custom Fabrication by CRL
- Fully Finished With a Powder Coating
- Delivered Ready for Assembly

PROJECT: Northern Kentucky International Airport

ARCHITECT: Piaskowy + Cooper

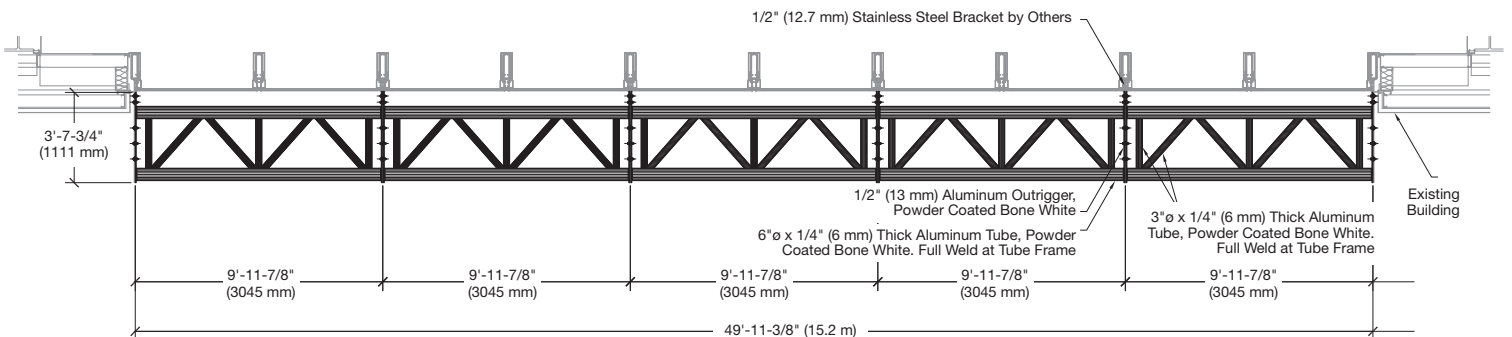
CONTRACTOR: Thomas Glass Co.

LOCATION: Hebron, Kentucky

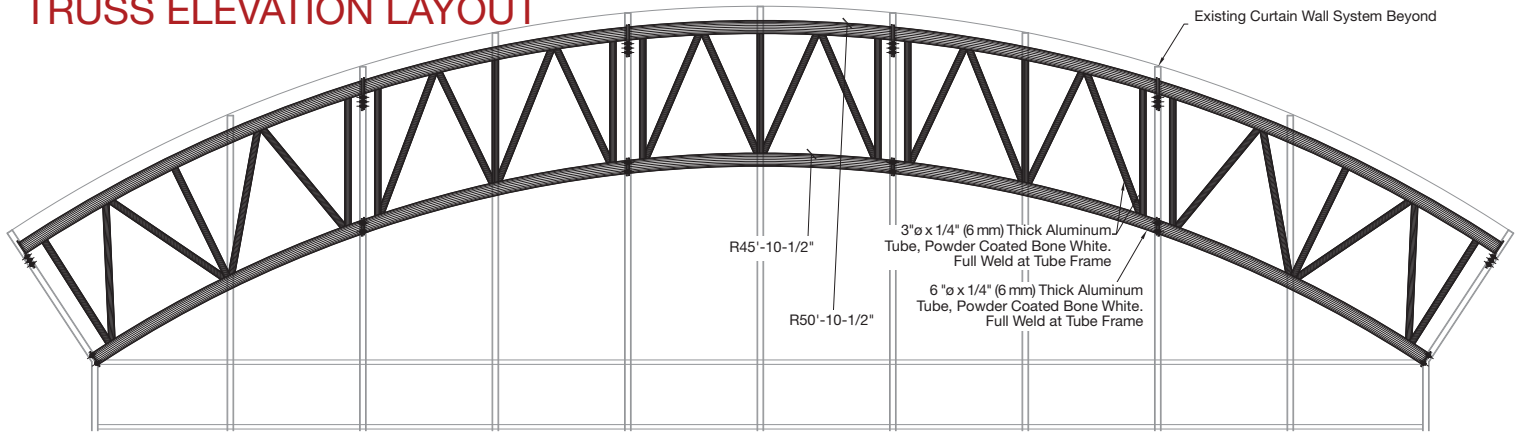


The Custom Aluminum Truss fabricated for Thomas Glass Company was installed at the Cincinnati/Northern Kentucky International Airport Terminal Three Security Screening Building. CRL worked closely with Thomas Glass to coordinate delivery and assembly due to the size and scope of the Truss. Made of 3" and 6" (76 and 152 mm) diameter aluminum tubing, the Truss was welded and finished with a powder coating in five pieces at CRL, and then delivered to the construction site where it was mechanically assembled and attached to the existing building.

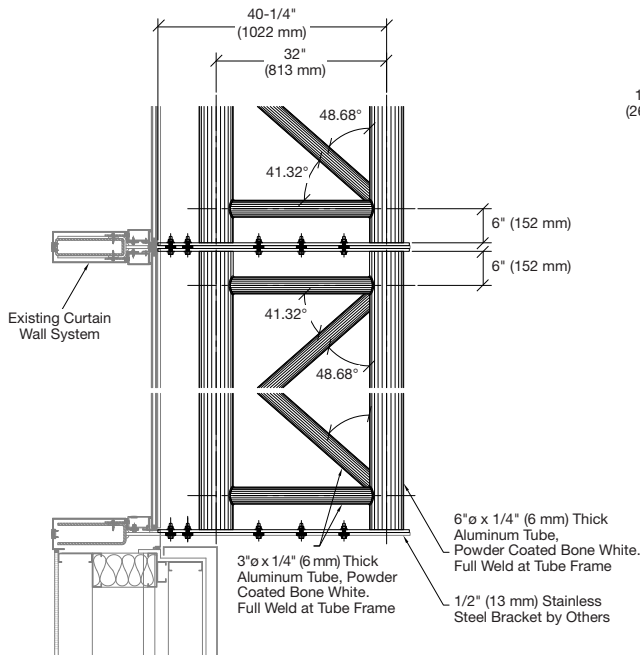
TRUSS PLAN LAYOUT



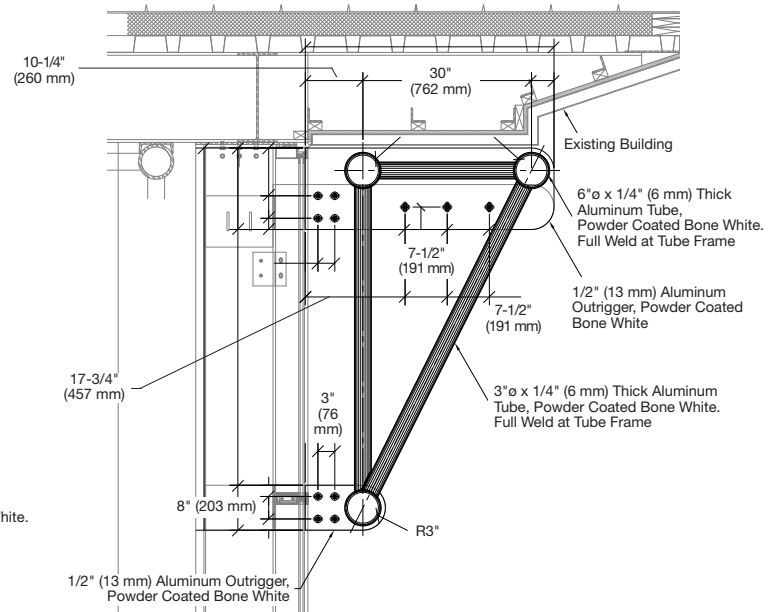
TRUSS ELEVATION LAYOUT



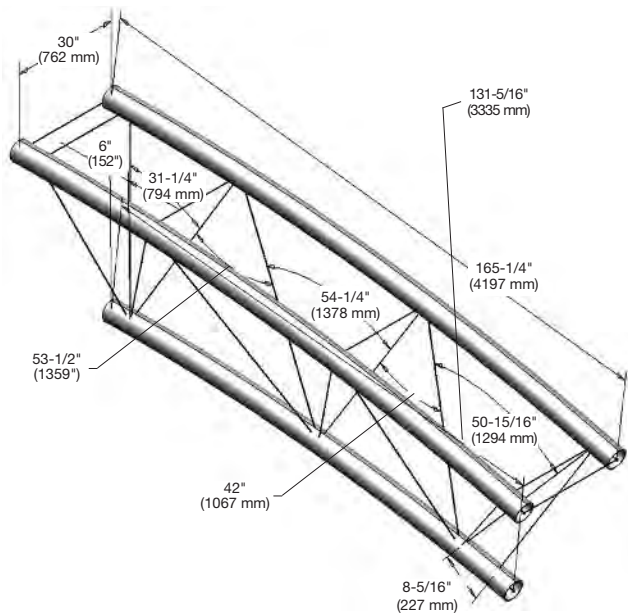
PLAN DETAIL



SECTION DETAIL



3D PLAN MODEL





GLAZING PATCH FITTINGS

- Patch Fittings are an Excellent Choice for 'All-Glass' Entrances
- Maximizes Glass Area While Still Providing Support
- Can Be Used With Overhead or Floor Mounted Closers

PROJECT: M Resort (Entry)
ARCHITECT: Marnell Architecture
CONTRACTOR: Heinaman Contract Glazing
LOCATION: Las Vegas, Nevada

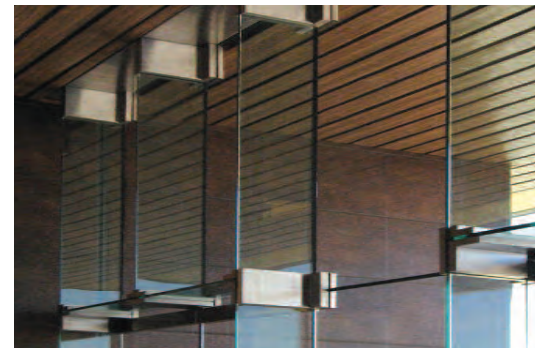
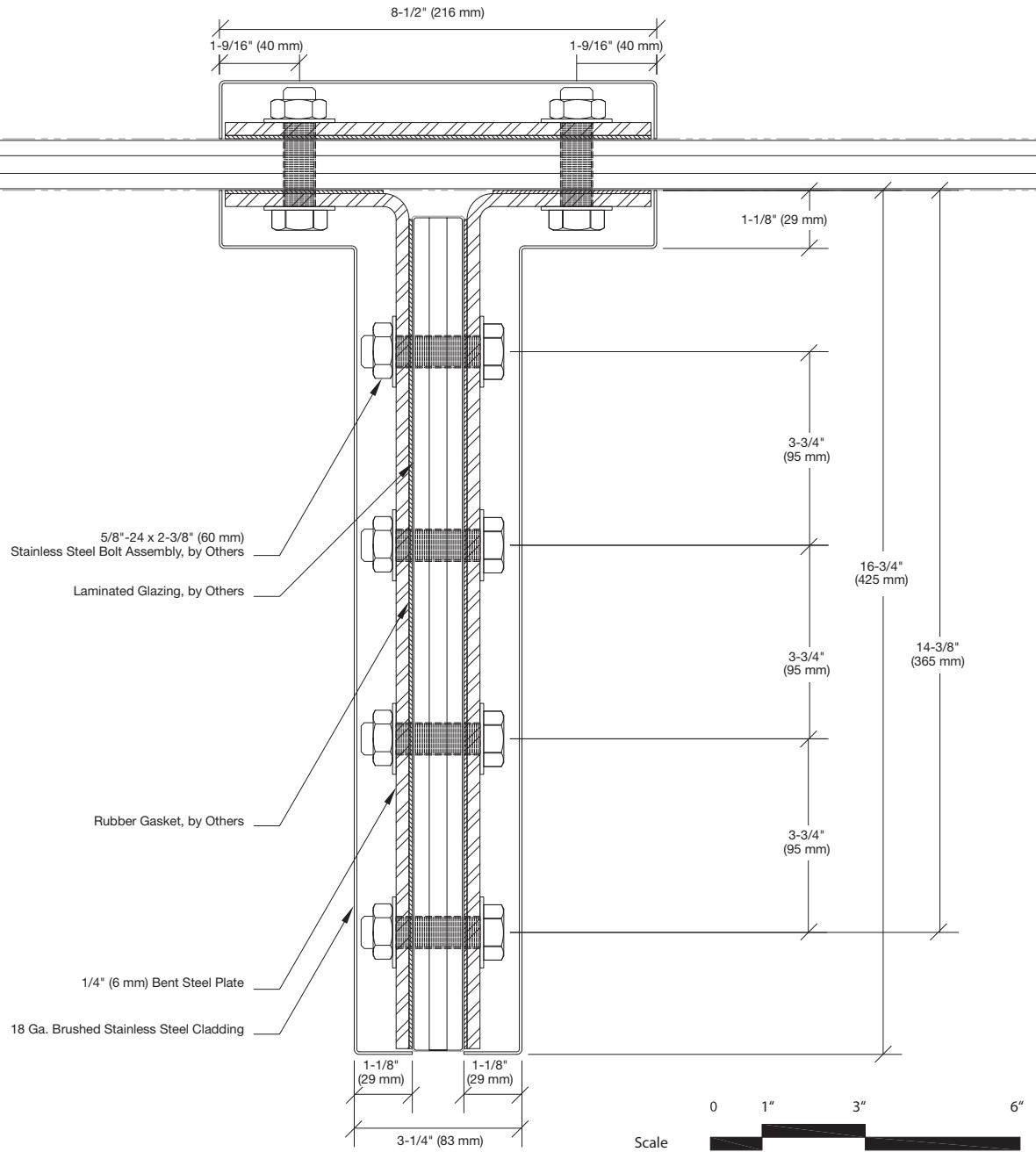


CRL was asked to fabricate custom Patch Fittings for the expansive glass wall at the entry lobby to the M Resort in Las Vegas, Nevada. The Patch Fittings were developed to secure a glass fin system. They're fabricated from 18 gauge brushed stainless steel over welded steel plate. The use of Patch Fittings allows for a cleaner frameless look to large areas of glazing along the building's iconic entry. In addition, CRL provided custom brushed stainless steel guard rail posts and hand rails for the resort's interior circulation and restaurants. Installation by Heinaman Contract Glazing.

Patch Fittings were developed to maximize the 'all-glass' look for storefronts and entrances. This versatile hardware allows you the freedom to work with single and double doors, sidelites, and transoms all while maintaining a consistent, clean look that does not detract from the exterior appearance, nor obscure the view of the interior. This is especially valued for storefronts, where customers are able to view the display merchandise without clutter and distraction.

CRL offers a variety of Patch Hardware components that make this state of the art glazing system available with short lead times from our network of distribution locations on three continents. All are available in brushed and polished stainless steel finishes with custom finishes also available. For use with tempered glass from 3/8" to 1/2" (10 to 12 mm) thick.

PATCH FITTING DETAIL (CUSTOM)





SPIDER FITTINGS

- Mini, Regular, and Heavy-Duty Designs Made of 316 Alloy Stainless Steel in a Brushed or Polished Finish
- Styles Available for Fixed and Swivel Head Applications
- Spiders for Mounting to Posts, Walls, and Column Fins
- Mini Spiders Available for Hand Rails, Guard Rails, and Awnings

PROJECT: Gold Line Little Tokyo Station
ARCHITECT: DMJM+HARRIS
CONTRACTOR: Romanoski Glass
LOCATION: Los Angeles, California



All Glass Façades can be accomplished by using our stock Spider Fittings. The Spiders can be attached to vertical columns, vertical "I" beams, or vertical glass fins giving the façade a look of glass sheets floating in space with no vertical or horizontal metal. The Spider Fittings themselves are beautifully finished in brushed or polished stainless steel that has been structurally tested to carry the panel weight and handle the wind load of the region. We have glass attachment fittings in fixed or swivel configurations in both flush or cap styles. The fittings and glass attachments come in regular-duty and heavy-duty models that are tested and certified to meet your installation needs. Our personnel will guide you through the design and quotation process, and can also provide you with calculated and certified drawings stamped by a licensed engineer.





ALUMINUM SUNSHADES

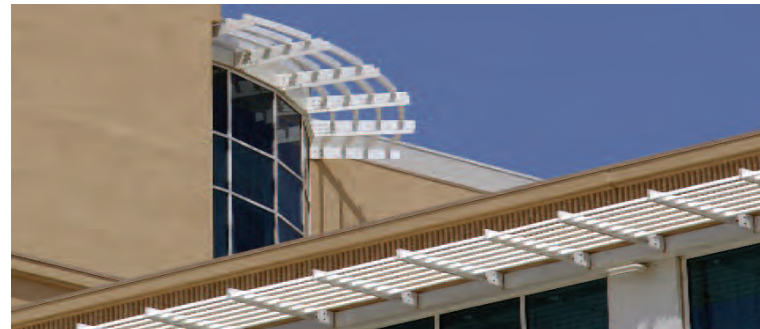
- Available in Many Proven Designs or Custom Designed to Meet Your Needs
- Structurally Designed to Meet the Load Values Required on the Project
- Powder Paint or KYNAR® Finishes Available
- Fabricated by CRL Manufacturing for Prompt Service

PROJECT: Agua Caliente Casino
ARCHITECT: VOA Associates Inc.
CONTRACTOR: ROEL® Construction, Inc.
LOCATION: Rancho Mirage, California



CRL Sunshades not only provide solar protection but also add a rich complement to the design of any building. Each system is built to your specifications in our manufacturing facility under strict standards that have earned CRL many prestigious awards for manufacturing excellence.

CRL performs engineering for a safe and long-lasting job, and provides shop drawings for approval. CRL engineers will work with you to create an elegant and functional Sunshade, Awning or Canopy System that is sure to impress! By controlling each step from original design to final shipping, CRL can provide the highest level of quality control and lead-time reliability for projects anywhere in the world.





SERIES 3600 SUNSHADE

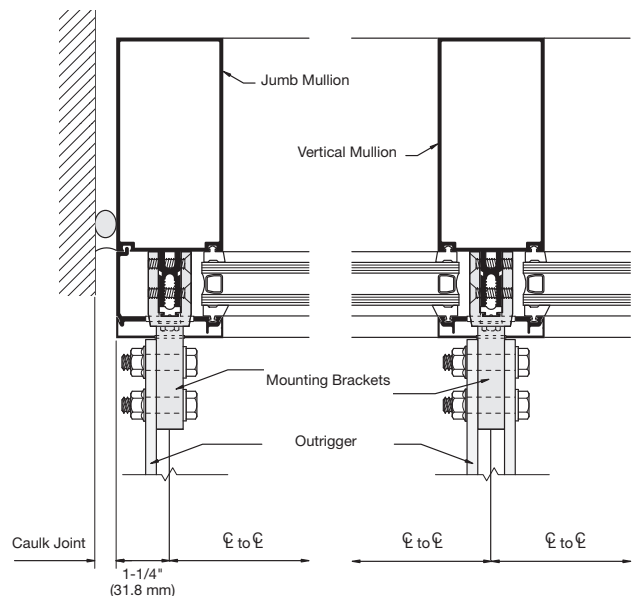
- 30" and 36" (762 and 914 mm) Projection Available
- Variety of Louvers and Fascia Profiles to Choose From
- Mounting Brackets for Walls, Curtain Walls, and Storefronts
- Structurally Designed to Meet the Load Values Required on the Project
- Continuous Fascia Cover
- Screw Spline Assembly
- Retrofit Options for Existing Buildings

PROJECT: Richland Community College
ARCHITECT: VAI Architects
CONTRACTOR: Joe Funk Construction
LOCATION: Garland, Texas

Conserving energy by reducing exposure to direct ultraviolet rays while allowing for ambient day lighting is a major focus of today's environmentally conscious USGBC and CaGBC guidelines. United States Aluminum is producing the LEED®-friendly Series 3600 Sunshade and other related products to meet these needs. The screw spline assembly design features a choice of outrigger profiles with a variety of available louvers and fascias. The Series 3600 Sunshade, available in painted and anodized finishes, works with the Series 3250 Curtain Wall System.



See our **AM09 Catalog** for our complete selection of Sunshades, Wall Panel Cladding Systems, Column Covers, and Perforated Panel Systems at usalum.com.







SERIES 3150 AND 3250 CURTAIN WALL

- Low to Mid-Rise Buildings
- 2-1/2" (63 mm) Face Dimension Vertically Butt Glazed (Series 3150 Only)
- Exterior Glazed
- Multiple System Depths
- Thermally Improved
- Pressure Bar Glazed
- No Exposed Fasteners

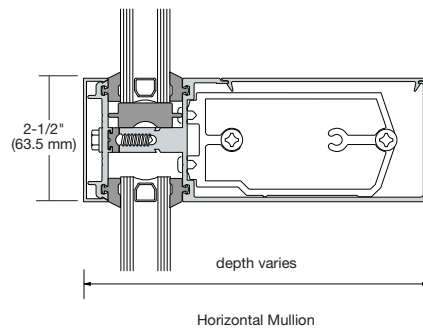
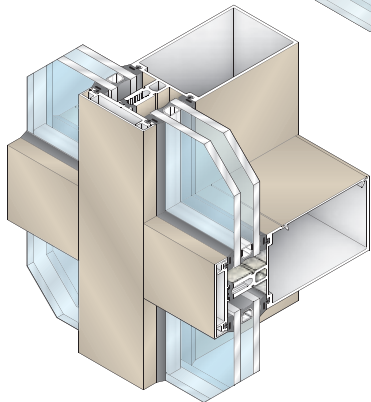
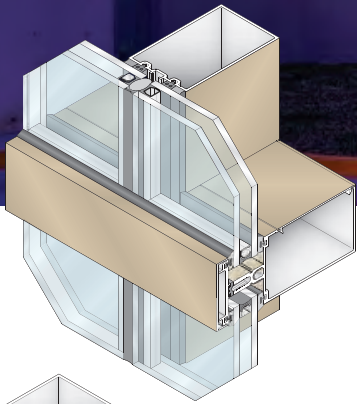
PROJECT: Puerto Rico Convention Center
ARCHITECT: TVSDESIGN
LOCATION: San Juan, Puerto Rico



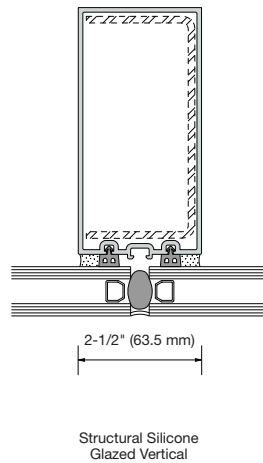
Strength, versatility, and economics make Series 3150 and 3250 Curtain Walls industry favorites for low to mid-rise applications where exterior glazing is desired. Complementing the efficiency of insulating glass, these Curtain Walls are thermally improved by a continuous thermal spacer interlocked within the pressure plates. Two-tone colors can be achieved by specifying different finishes for the exterior face covers and interior mullions. Two piece horizontals and extruded shear blocks allow for a concealed horizontal to vertical joinery without exposed screws.



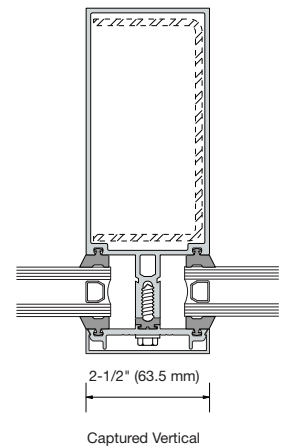
PROJECT: C.R. Smith Museum
ARCHITECT: Haskell
LOCATION: Fort Worth, Texas



3150



3250





CRL MASTER AND SPECIALTY CATALOGS

- 03 SEALANTS, ADHESIVES, AND FASTENERS
- 23 FRAMELESS SHOWER DOOR HARDWARE
- 43 AUTO GLASS TOOLS AND WINDOWS
- 53R GLASS AND GLAZING HARDWARE
- 63A ARCHITECTURAL HARDWARE
- 63R ARCHITECTURAL RAILING
- 73R TOOLS, MACHINERY, AND EQUIPMENT
- 83R DOOR AND WINDOW REPLACEMENT HARDWARE



USAL14
THE STOREFRONT STORE



USAL15
CURTAIN WALLS



TAJ11
TAJIMA ARCHITECTURAL METALS



AM09
ARCHITECTURAL METALS



AH11
ARCHITECTURAL HARDWARE



HR11
ARCHITECTURAL RAILING SYSTEMS



CRL14D
DOORS AND ENTRANCE SYSTEMS



DC14
DOOR CONTROLS HARDWARE AND ACCESSORIES



SCR14
SECURITY DOORS; DOOR & WINDOW SCREEN SYSTEMS



SC14
SUN CONTROL SYSTEMS



HW2010
TUBULAR ARCHITECTURAL HARDWARE



B2010
TEMPERED GLASS DOORS, PANIC, DEADBOLT AND DUMMY HANDLES



M2010
RAILINGS, SMOKE BAFFLES, GLASS GATES



GB10
GLASS BONDING SYSTEM



SC12
STANDOFF AND CLAMP HARDWARE



SD12
FRAMELESS SHOWER DOOR HARDWARE AND SUPPLIES



FS14
FRAMELESS SLIDING SHOWER DOOR SYSTEMS



ST14
FRAMELESS SHOWER DOOR PROFESSIONAL INSTALLATION TOOLS



TH10
TRANSACTION AND SECURITY HARDWARE



HS12
HOSPITALITY AND SERVICE HARDWARE

Welcome to the C.R. Laurence Global Web Site



ONLINE FEATURES INCLUDE:

- Access to All CRL Products Through CRL's Easy-to-Use Product Index
- Fast and Secure Log On Process
- Ask Technical and Product Questions Online
- Find Products and Pricing Online Instantly
- View All Current Catalogs Online
- Technical Articles and Product Support
- Ordering and Shipping Information
- Beautiful Installation Photos With CRL Products
- CRL Locations With Addresses, Directions, Phone and Fax Numbers
- Direct E-Mail Connections to CRL Departments
- Account Policies and Credit Terms
- A Calendar of Industry Trade Shows

CRL C.R. LAURENCE COMPANY

C.R. Laurence Co., Inc.
Corporate Headquarters
CRL UNITED STATES | crlaurence.com
2503 E. Vernon Ave., Los Angeles, California 90058-1897
Toll Free Phone: (800) 421-6144 • Toll Free Fax: (800) 262-3299
International Phone: (323) 588-1281 • International Fax: (323) 581-6522

C.R. Laurence of Canada
Canadian Headquarters
CRL CANADA | crlaurence.ca
65 Tigi Court, Concord, Ontario L4K 5E4
Toll Free Phone: (800) 421-6144 • Toll Free Fax: (800) 262-3299
International Phone: (905) 303-7966 • International Fax: (905) 303-7965

C.R. Laurence of Europe Ltd.
European Headquarters
CRL UK | crlaurence.co.uk
Charles Babbage Ave., Kingsway Business Park, Rochdale, OL16 4NW England
Freephone: 00 800 0421 6144 • Freefax: 00 800 0262 3299
International Phone: +44 (0) 1706 863 600 • International Fax: +44 (0) 1706 869 860

C.R. Laurence of Europe GMBH
Stuttgart Area, GERMANY
CRL GMBH | crlaurence.de | crlaurence.eu
Boschstrasse 7, D-74360, Ilsfeld, Germany
Freephone: 00 800 0421 6144 • Freefax: 00 800 0262 3299
International Phone: +49 (0)7062 915 93 15 • International Fax: +49 (0)7062 915 93 16

C.R. Laurence Australia Pty Ltd
Australian Headquarters
CRL Australia | crlaurence.com.au
9 Shale Place, Eastern Creek, NSW 2766
Toll Free Phone: 1800 424 275 • Toll Free Fax: 1800 813 013
International Phone: +61 (2) 9851-3444 • International Fax: +61 (2) 9851-3445